

Department of Engineering
Tim Bryan, P.E., County Engineer

3137 South Liberty Street, Canton, MS 39046
Office (601) 790-2525 FAX (601) 859-3430

MEMORANDUM

April 12, 2022

To: Sheila Jones, Supervisor, District I
Trey Baxter, Supervisor, District II
Gerald Steen, Supervisor, District III
Karl Banks, Supervisor, District IV
Paul Griffin, Supervisor, District V

From: Tim Bryan, P.E., PTOE
County Engineer

Re: Telepak Networks, Inc./Cspire Utility Permit

The Engineering Department recommends approval of the permit application for Telepack Networks, Inc./Cspire to directionally bore a fiber optic for high-speed internet along the following roads:

- Stribling Road
- Crestwood Place
- Autumn Drive
- Autumn Cove
- Crested Cove
- Autumn Hill
- Quail Ridge Drive
- Hunter Cove



PERMIT APPLICATION FOR THE CONSTRUCTION OR ADJUSTMENT OF A UTILITY WITHIN COUNTY ROAD RIGHT-OF-WAY

Utility Information: Utility Name: _____

Address: _____ City/State/Zip: _____

Contact Person: _____ Contact's Phone: _____

Project Information: County Road Name: _____

(If located within more than one road right-of-way, use Appendix 1 for additional descriptions)

Beginning Location: _____ Ending Location: _____

Length of Project: _____ Section: _____ Township: _____ Range: _____

Description of Work: _____

Check Box if Appendix 1 is to be included as a part of this Application

Whereas the above stated Utility makes application to the **Madison County Board of Supervisors** for a Construction Permit. Attached hereto are drawings and plans for the construction of the above facilities located within Madison County owned public rights-of-way. Once stamped by the Madison County Engineering Department, these plans shall not be changed or altered without written approval of the County Engineer, or his representative. A copy of the approved permit and plans shall be on-site at all times during construction.

The Applicant Utility shall comply with all policies, procedures and construction practices as outlined in *A Policy for The Accommodation of Utility Facilities within the Right-of-Way of all Public County Roads* (hereinafter referred to as the "Policy"), as adopted on November 1, 2005, by the **Madison County Board of Supervisors**, and which is hereby made a part of this Application Agreement.

If facilities are to be located within the Rights-of-Way of the County-Federal or State Aid System, Applicant Utility also agrees to comply with applicable provisions of *S.O.P. No. SA II-2-8, Accommodation of Utilities on Rights-of-Way*, issued by the State Aid Engineer and dated July 1, 2005.

The Applicant Utility understands and agrees that, except as herein granted, no right, title, claim, or easement to said road right-of-way is granted by the issuance of this permit. If this Utility is listed in the general provisions of the Policy, it will be adjusted to comply with same without cost to the County, unless the variance from the Policy has been approved by the granting of the Permit pursuant to this Application.

The Applicant Utility further understands that the Utility's engineering, plant, or other personnel will be responsible for the staking and construction supervision of the work set out above and as shown on the attached plans. If work impacts traffic in any way, the appropriate traffic control shall be installed per the *Manual of Uniform Traffic Control Devices*, Latest Edition.

The Applicant Utility understands that the County Engineer, or his representative, may issue a Stop Work Order at any time if it is deemed that site conditions are not suitable for construction or if any of the requirements of this permit are not being met.

Many County Roads have variable Rights-of-Way and/or no Right-of-Way at all and are maintained under a Prescriptive Easement. It is the sole responsibility of the Applicant Utility to verify the existence and limits of public rights-of-way. If none exists, it is the

responsibility of the Applicant Utility to acquire an easement for their Facilities from the applicable property owner(s). Madison County in no way verifies the limits of Right-of-Way as shown on the permit application.

The Applicant Utility shall be responsible for all future maintenance and repair of the facilities installed under this permit. The Applicant Utility shall make future adjustments to, or relocate, the facilities located within road or highway right-of-way when required for road or highway widening or other road or highway construction at no cost to Madison County. The Applicant Utility shall relocate said utilities within sixty (60) days of notification by County by registered mail, return receipt requested, unless otherwise designated by the County Engineer. Further, any maintenance, repair, or construction shall be done in such a manner as to occasion no unreasonable interference with the normal flow and safety to traffic and at the expense of the utility company. When reasonable care has been taken to locate said utility facilities within the right-of-way, the Applicant Utility understands that any damages caused by routine maintenance and construction by County forces shall be borne by the Applicant Utility.

The Applicant Utility further agrees to indemnify and hold Madison County harmless for any and all claims, accidents, damages, liabilities and expenses occasioned wholly, or in part, by any act or omission of applicant, its agents or employees. In case County shall, without fault on its own part, be made a party to any litigation commenced by or against applicant, then applicant shall protect and hold County harmless, and shall pay all costs, expenses and reasonable attorney's fees incurred or paid by County in connection with said litigation.

All underground facilities shall be installed at a depth equal to or greater than 48" below the lowest adjacent grade.

All pipes carrying liquid shall be encased under County maintained roads.

WITNESS the signature of the Applicant this the _____ day of _____, 20_____.

By:  _____
(Applicant signature)

Title: _____

Note: Applicant must be an employee of the Utility named in this application. The Madison County Board of Supervisors will not recognize a Contractor, Subcontractor, Agent, or Consulting Engineer as the Applicant. Utility Company shall be fully responsible for all work performed under this application.

I, or my authorized representative, have reviewed this application and determined that the drawing, sketches, and plans submitted by the Applicant meet the requirements of *A Policy for The Accommodation of Utility Facilities within the Right-of-Way of all Public County Roads.*

APPROVED
By *timothy.bryan* at 11:27 am, Apr 12, 2022

Tim Bryan, P.E.
County Engineer

AGREED TO AND APPROVED BY:

Madison County Board President

Date: _____

ENTERED INTO THE MINUTES OF THE BOARD OF SUPERVISORS OF MADISON COUNTY, MISSISSIPPI ON THIS

_____ DAY OF _____, 20_____.

Appendix 1

County Road Name: _____
Beginning Location: _____ Ending Location: _____
Length of Project: _____ Section: _____ Township: _____ Range: _____
Description of Work: _____

County Road Name: _____
Beginning Location: _____ Ending Location: _____
Length of Project: _____ Section: _____ Township: _____ Range: _____
Description of Work: _____

County Road Name: _____
Beginning Location: _____ Ending Location: _____
Length of Project: _____ Section: _____ Township: _____ Range: _____
Description of Work: _____

County Road Name: _____
Beginning Location: _____ Ending Location: _____
Length of Project: _____ Section: _____ Township: _____ Range: _____
Description of Work: _____

County Road Name: _____
Beginning Location: _____ Ending Location: _____
Length of Project: _____ Section: _____ Township: _____ Range: _____
Description of Work: _____

Appendix 1

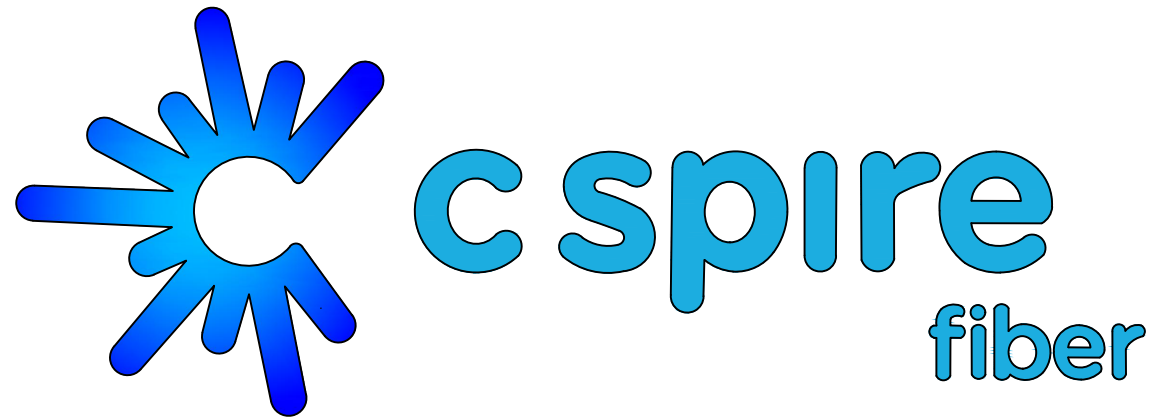
County Road Name: _____
Beginning Location: _____ Ending Location: _____
Length of Project: _____ Section: _____ Township: _____ Range: _____
Description of Work: _____

County Road Name: _____
Beginning Location: _____ Ending Location: _____
Length of Project: _____ Section: _____ Township: _____ Range: _____
Description of Work: _____

County Road Name: _____
Beginning Location: _____ Ending Location: _____
Length of Project: _____ Section: _____ Township: _____ Range: _____
Description of Work: _____

County Road Name: _____
Beginning Location: _____ Ending Location: _____
Length of Project: _____ Section: _____ Township: _____ Range: _____
Description of Work: _____

County Road Name: _____
Beginning Location: _____ Ending Location: _____
Length of Project: _____ Section: _____ Township: _____ Range: _____
Description of Work: _____



AUTUMN CREST

MADISON COUNTY, MISSISSIPPI
3/29/22



PERMITS REQUIRED

CITY :	N/A
COUNTY :	YES
ADOT :	N/A
FEDERAL :	N/A
RAILROAD :	N/A
PRIVATE R/W :	N/A
MISC :	N/A

PREPARED BY:





MADISON COUNTY, MISSISSIPPI

JOB DESCRIPTION

PROJECT NAME AUTUMN CREST	
PROJECT CITY	
DATE	DESCRIPTION CONSTRUCTION
SHEET TYPICALS	DRAWN BY DELTA FIBER
SCALE NTS	PAGE TYPICALS

MATERIALS LIST

ITEM	DESCRIPTION	QTY.
1	TRIDENT RTD 1X12	
2	TRIDENT RTD 1X12	
3	TRIDENT RTD 1X12	
4	TRIDENT RTD 1X12	
5	48 CT FOC	
6	48 CT FOC LOOP	
7	72 CT FOC	
8	72 CT FOC LOOP	
9	144 CT FOC	
10	144 CT FOC LOOP	
11	288 CT FOC	
12	288 CT FOC LOOP	
13	432 CT FOC	
14	432 CT FOC LOOP	
15	BDO288P LCP	
16	UH2	
17	UH3	
18	UH4	
19	UH5	
20	1-1.25" SDR11 HDPE	
21	2-1.25" SDR11 HDPE	
22	3-1.25" SDR11 HDPE	
23	4-1.25" SDR11 HDPE	
24	5-1.25" SDR11 HDPE	
25	6-1.25" SDR11 HDPE	
26	TYCO "B" SPLICE CASE	
27	TYCO "D" SPLICE CASE	
28	GROUND ROD	
29	SPLICES	
30	BM53FA	

REVISIONS

No.	Revision/Issue	Date

MAP NUMBER

--	--	--

PREPARED BY



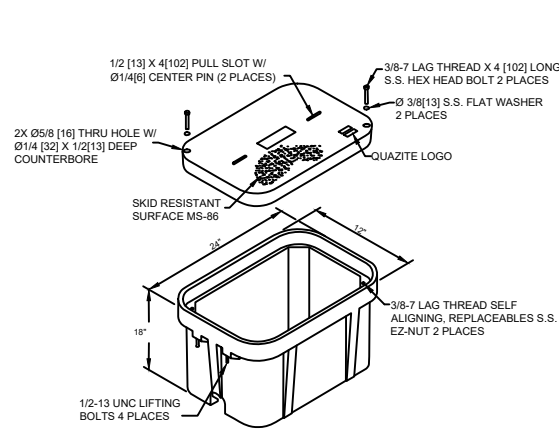
PREPARED FOR



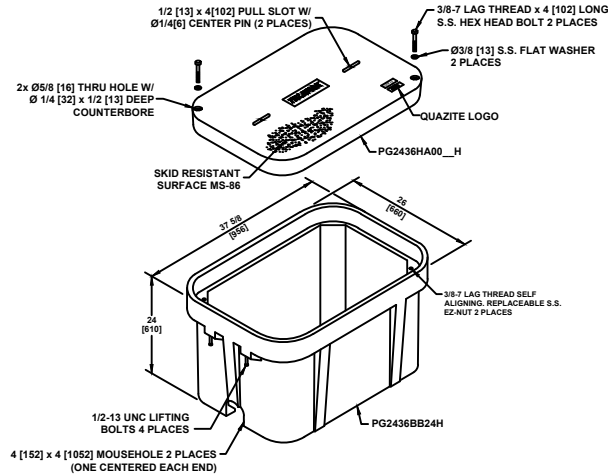
DISCLAIMER

EXCEPT AS MAY BE OTHERWISE PROVIDED BY CONTRACT, THESE DRAWINGS AND SPECIFICATIONS SHALL REMAIN THE PROPERTY OF CSPIRE FIBER. BEING ISSUED IN STRICT CONFIDENCE AND SHALL NOT BE REPRODUCED, COPIED, OR USED FOR ANY PURPOSE WITHOUT SPECIFIC WRITTEN PERMISSION.

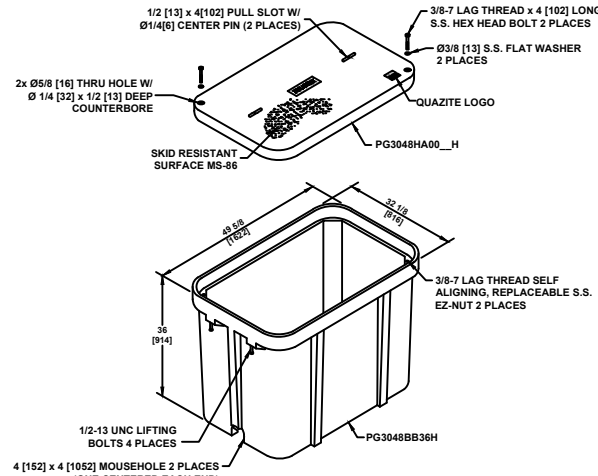
UH-2



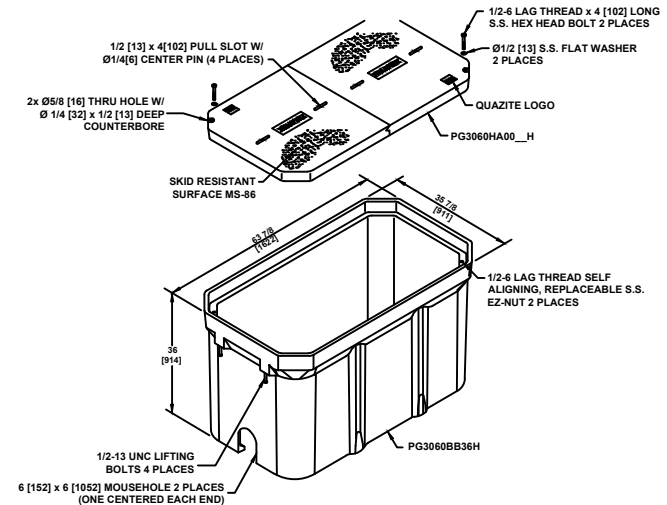
UH-3



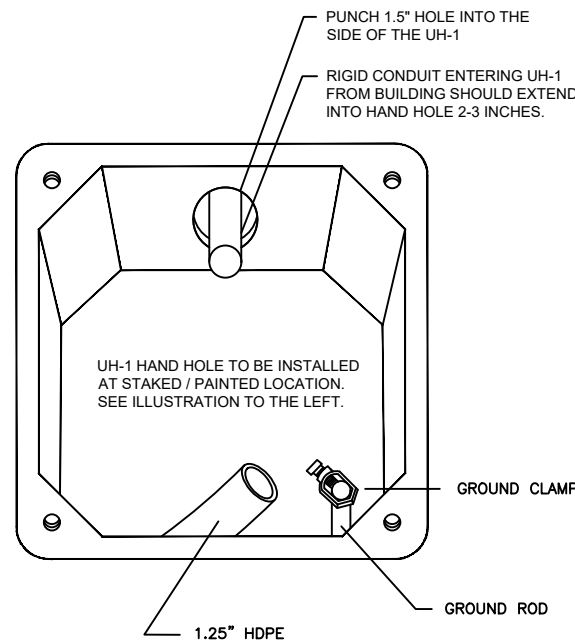
UH-4



UH-5

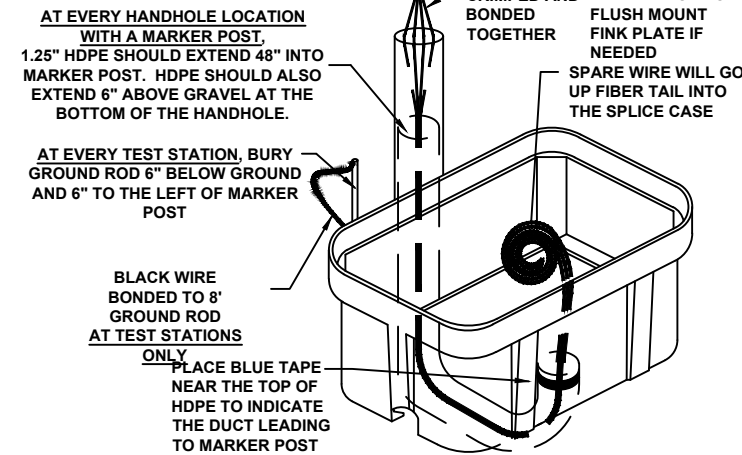


TYPICAL UH-1 / UH-2 HAND HOLE INSTALLATION PROCEDURES AT BUILDING ENTRIES



UH-1 / UH-2 INSTALLATION LOCATION WILL BE MARKED BY A STAKE AND/OR PAINT. CSPIRE/OSP WILL INSTALL CONDUIT 8" UNDERGROUND TO DESIRABLE UH-1 LOCATION.

TYPICAL HAND HOLE INSTALLATION



PIGTAILS ARE TO BE INSTALLED AT TEST STATION (T.S.) ONLY.

HANDHOLES ARE TO BE INSTALLED A MINIMUM OF THREE FEET FROM ANY UTILITY OR POWER POLE.

BOXES (Nestable)

DESCRIPTION	PART NO.	WEIGHT	DESIGN/TEST LOAD#
UH-5 30x60x36	PG3060Z501	933# 423KG.	15'000 LBS
UH-4 30x48x36	PG3048Z579	563# 255KG.	15'000 LBS
UH-3 24x36x24	PG2436Z905	284# 129KG.	15'000 LBS

DIMENSIONS ARE IN INCHES OR MILLIMETERS IN BRACKETS UNLESS OTHERWISE NOTED.

NOTES:

- THIS ASSEMBLY IS RATED FOR A STATIC DESIGN LOAD OF 15,000 LBS. [66,720 N] OVER A 10 [254] X 10 [254] AREA AND MUST PASS A MIN. STATIC TEST LOAD OF 22,500 LBS. [100,085 N].
- ALL ENCLOSURES, BOXES AND COVERS, ARE REQUIRED TO CONFORM TO ALL TEST PROVISIONS OF ANSI/SCTE 77 2007 "SPECIFICATION FOR UNDERGROUND ENCLOSURE INTEGRITY" AS MANUFACTURED BY QUAZITE OR EQUIVALENT WITH TELEPAK NETWORK'S ENGINEER'S SIGNED APPROVAL. THE COVERS MUST BE RATED FOR TIER 15 APPLICATIONS AND BOXES RATED FOR TIER 22 APPLICATIONS AND IN NO ASSEMBLY CAN THE COVER DESIGN LOAD EXCEED THE DESIGN LOAD OF THE BOX. ALL COMPONENTS IN AN ASSEMBLY (BOX & COVER) ARE MANUFACTURED USING MATCHED SURFACE TOOLING. ALL COVERS ARE REQUIRED TO HAVE A MINIMUM COEFFICIENT OF FRICTION OF 0.50 IN ACCORDANCE WITH ASTM C 1028 AND HAVE TIER 15 AND "TELEPAK NETWORKS 800-342-3716" EMBOSSED ON THE TOP SURFACE. ALL COVER BOLTS TO BE SELF-CLEANING AUGER BOLT ASSEMBLIES.

ALL CABLE WILL BE PLACED BY METHOD OF DIRECTIONAL BORE MIN 2' OFF ROW OR EASEMENT @ 48" DOC UNLESS OTHERWISE NOTED.

NOTIFY ALL UTILITIES 72 HOURS PRIOR TO CONSTRUCTION ACTIVITY. ONE CALL SYSTEM @ 1-800-227-6477



MADISON COUNTY, MISSISSIPPI

SYMBOLS KEY

DIRECTIONAL BORE 	RAILROAD TRACKS 	PROPERTY LINE
AERIAL CABLE 	AUXILLARY TRACKS 	EDGE OF PAVEMENT
PLOW OR BURIED CABLE 	CENTERLINE 	BACK OF CURB
DIRECTIONAL BORE 5" HDPE 	WOOD LINE 	WHITE LINE
PVC OR SPLIT PVC CONDUIT 	DITCH LINE 	RIGHT-OF-WAY LINE
ASTMA 139 GRADE B STEEL 	TOP OF SLOPE 	TAX DISTRICT BOUNDARY
JACK AND BORE 	TOE OF SLOPE 	PROBE (DEPTH AS INDICATED)
CORE BORE 	AERIAL UTILITY (ELECTRIC) 	PERMIT TRACKING FORM IDENTIFIER
EXISTING TELEPAK CABLE 	UNDERGROUND UTILITY (TELEPHONE) (PARTIAL CAPSULE INDICATES COVER DEPTH IN INCHES) 	
PROPOSED HANDHOLE 	CAUTION NOTES 	
HANDHOLE (CABLE IN HDPE) 	WATER VALVE 	
HH (CABLE IN PVC CONDUIT) 	WATER METER 	
HANDHOLE (CABLE IN GSP CONDUIT) 	GAS VALVE 	
MANHOLE 	FIRE HYDRANT 	
MANHOLE (CABLE IN HDPE) 	STORM DRAIN 	
MANHOLE (CABLE IN PVC CONDUIT) 	SEWER MANHOLE 	
MANHOLE (CABLE IN BSP/GSP CONDUIT) 	CULVERT 	
H-FRAME 	BOX CULVERT 	
BORE PIT 	CITY, COUNTY OR STATE BOUNDARY LINE 	
LIGHTNING ARRESTOR 	R.R. CROSSING SIGNAL 	PUSH BRACE
AC/DC FILTER PROTECTION 	R.R. SIGNAL ARM 	JOINT USE POLE
ALUMINUM HUB STYLE MARKER 	U/G TRANSFORMER 	TELEPHONE POLE
STEEL MARKER 	STREET/SIGNAL LIGHT 	CONCRETE POLE
FLAT COMPOSOLITE MARKER 	PARKING METER 	STEEL POLE
TUBULAR MARKER 	STEEL/WOOD POST 	POWER POLE
RIGHT-OF-WAY MARKER 	SIGN 	TRANSFORMER POLE
RIGHT-OF-WAY PIN 	FENCE LINE 	GROUND WIRE
MILE POST MARKER NOTE: DASHED = (NOT FOUND IN FIELD) 	TELEPHONE/CATV PED 	BOND AND GROUND
	TREE 	
	BUSH 	

DELTA FIBER TYPICAL LINETYPES

1-1.25 HDPE	(1)1.25 HDPE	(1)1.25 HDPE	(1)1.25 HDPE	(1)1.25 HDPE	(1)1.25 HDPE
2-1.25 HDPE	(2)1.25 HDPE	(2)1.25 HDPE	(2)1.25 HDPE	(2)1.25 HDPE	(2)1.25 HDPE
3-1.25 HDPE	(3)1.25 HDPE	(3)1.25 HDPE	(3)1.25 HDPE	(3)1.25 HDPE	(3)1.25 HDPE
4-1.25 HDPE	(4)1.25 HDPE	(4)1.25 HDPE	(4)1.25 HDPE	(4)1.25 HDPE	(4)1.25 HDPE
5-1.25 HDPE	(5)1.25 HDPE	(5)1.25 HDPE	(5)1.25 HDPE	(5)1.25 HDPE	(5)1.25 HDPE
6-1.25 HDPE	(6)1.25 HDPE	(6)1.25 HDPE	(6)1.25 HDPE	(6)1.25 HDPE	(6)1.25 HDPE
12CT FOC	12CT FOC	12CT FOC	12CT FOC	12CT FOC	12CT FOC
24CT FOC	24CT FOC	24CT FOC	24CT FOC	24CT FOC	24CT FOC
48CT FOC	48CT FOC	48CT FOC	48CT FOC	48CT FOC	48CT FOC
72CT FOC	72CT FOC	72CT FOC	72CT FOC	72CT FOC	72CT FOC
96CT FOC	96CT FOC	96CT FOC	96CT FOC	96CT FOC	96CT FOC
144CT FOC	144CT FOC	144CT FOC	144CT FOC	144CT FOC	144CT FOC
288CT FOC	288CT FOC	288CT FOC	288CT FOC	288CT FOC	288CT FOC
(2)288CT FOC	(2)288CT FOC	(2)288CT FOC	(2)288CT FOC	(2)288CT FOC	(2)288CT FOC
1x4 TRIDENT	1x4	1x4	1x4	1x4	1x4
1x8 TRIDENT	1x8	1x8	1x8	1x8	1x8
1x12 TRIDENT	1x12	1x12	1x12	1x12	1x12
2x12 TRIDENT	(2)1x12	(2)1x12	(2)1x12	(2)1x12	(2)1x12
RIGHT OF WAY	R/W				
DRIVEWAY					
EDGE OF PAVEMENT					
CENTERLINE OF ROAD					
DROPS TO HOUSES					
AERIAL IMAGES					
PROPERTY LINE	PL	PL	PL	PL	PL
UTILITY EASEMENT	UTIL ESMT				
SIDEWALK					

JOB DESCRIPTION

PROJECT NAME AUTUMN CREST	
PROJECT CITY	
DATE	DESCRIPTION CONSTRUCTION
SHEET	DRAWN BY DELTA FIBER
LEGEND	PAGE
SCALE NTS	LEGEND

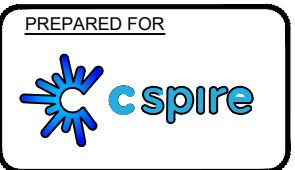
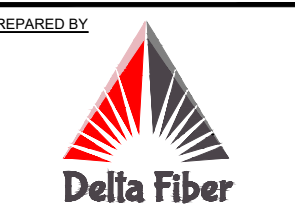
MATERIALS LIST

ITEM	DESCRIPTION	QTY.
1	TRIDENT RTD 1X12	
2	TRIDENT RTD 1X12	
3	TRIDENT RTD 1X12	
4	TRIDENT RTD 1X12	
5	48 CT FOC	
6	48 CT FOC LOOP	
7	72 CT FOC	
8	72 CT FOC LOOP	
9	144 CT FOC	
10	144 CT FOC LOOP	
11	288 CT FOC	
12	288 CT FOC LOOP	
13	432 CT FOC	
14	432 CT FOC LOOP	
15	BDO288P LCP	
16	UH2	
17	UH3	
18	UH4	
19	UH5	
20	1-1.25" SDR11 HDPE	
21	2-1.25" SDR11 HDPE	
22	3-1.25" SDR11 HDPE	
23	4-1.25" SDR11 HDPE	
24	5-1.25" SDR11 HDPE	
25	6-1.25" SDR11 HDPE	
26	TYCO "B" SPLICE CASE	
27	TYCO "D" SPLICE CASE	
28	GROUND ROD	
29	SPLICES	
30	BM53FA	

REVISIONS

No.	Revision/Issue	Date

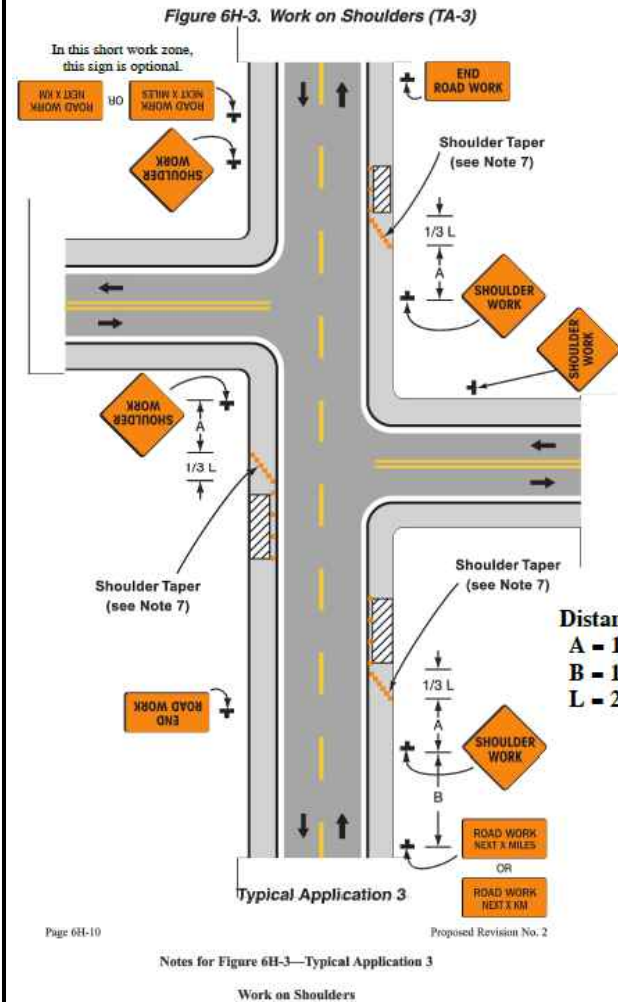
MAP NUMBER		



DISCLAIMER
EXCEPT AS MAY BE OTHERWISE PROVIDED BY CONTRACT, THESE DRAWINGS AND SPECIFICATIONS SHALL REMAIN THE PROPERTY OF CSPIRE FIBER. BEING ISSUED IN STRICT CONFIDENCE AND SHALL NOT BE REPRODUCED, COPIED, OR USED FOR ANY PURPOSE WITHOUT SPECIFIC WRITTEN PERMISSION.

ALL CABLE WILL BE PLACED BY METHOD OF DIRECTIONAL BORE MIN 2' OFF ROW OR EASEMENT @ 48" DOC UNLESS OTHERWISE NOTED.

NOTIFY ALL UTILITIES 72 HOURS PRIOR TO CONSTRUCTION ACTIVITY.
ONE CALL SYSTEM @ 1-800-227-6477



WORK ON SHOULDERS

GUIDANCE:

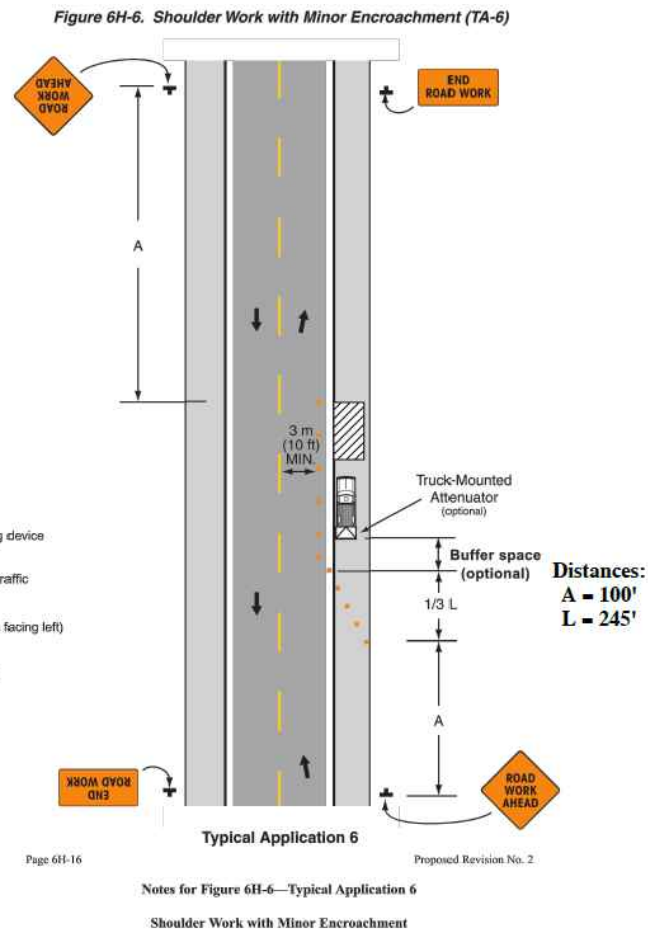
1. A SHOULDER WORK sign should be placed on the left side of the roadway for a divided or one-way street only if the left shoulder is affected.

OPTION:

2. The workers symbol signs may be used instead of SHOULDER WORK signs.
3. The SHOULDER WORK AHEAD sign on an intersecting roadway may be omitted where drivers emerging from that roadway will encounter another advance warning sign prior to this activity area.
4. For short-duration operations of 60 minutes or less, all signs and channelizing devices may be eliminated if a vehicle with activated rotating lights or strobe lights is used.
5. Vehicle hazard warning signals may be used to supplement rotating lights or strobe lights.

STANDARD:

6. Vehicle hazard warning signals shall not be used instead of the vehicle's rotating lights or strobe lights.
7. When paved shoulders having a width of 2.4 m (8ft) or more are closed, at least one advance warning sign shall be used. In addition, channelizing devices shall be used to close the shoulder in advance to delineate the beginning of the work space and direct vehicular traffic to remain within the traveled way.



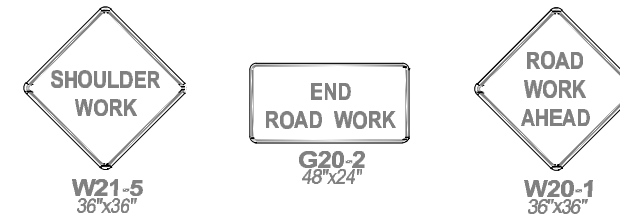
LEGEND

- Channelizing device
- Direction of traffic
- Sign (Shown facing left)
- Work space

Distances:
A = 100'
B = 100'
L = 245'

Distances:
A = 100'
L = 245'

CONSTRUCTION SIGNS
FLUORESCENT ORANGE SHEETING SHALL BE USED ON ALL CONSTRUCTION AND TRAFFIC CONTROL SIGNS



NOTE:
 W20-1 SIGNS ARE REQUIRED WHEN SHOULDER WORK IS PERFORMED WITH MINOR ENCROACHMENT TO TRAVEL LANE OR FLAGGING OPERATIONS. SEE TCP-2, FIGURE 6H-6.

DISTANCE BETWEEN SIGNS

ROAD TYPE	A	B	C
URBAN (35 MPH OR LESS)	100 FT.	100 FT.	100 FT.
URBAN (40 - 70 MPH)	350 FT.	350 FT.	350 FT.
RURAL	500 FT.	500 FT.	500 FT.
EXPRESSWAY / FREEWAY	1000 FT.	1500 FT.	2640 FT.

NOTES:

1. ALL TRAFFIC CONTROL DEVICES ON THIS PROJECT SHALL COMPLY WITH PART VI OF THE MUTCD (LATEST EDITION).
2. SIGNS ARE ONLY REQUIRED WHILE CONTRACTOR IS WORKING. THEY SHALL BE INSTALLED PRIOR TO WORK COMMENCING EACH DAY AND REMOVED WHEN WORK IS COMPLETED AT THE END OF THE DAY.
3. SIGNS MAY BE MOUNTED ON TRIPODS. THE LOCATION AND SPACING OF SIGNS, AS SHOWN ON THESE TRAFFIC CONTROL PLANS, ARE APPROXIMATE AND MAY BE ADJUSTED AS NECESSARY TO FIT FIELD CONDITIONS.
4. CHANNELIZING DEVICES ARE NOT SHOWN ON THIS PLAN, BUT ARE REQUIRED AROUND ACTIVE WORK ZONES (SEE TCP-2).

SHOULDER WORK WITH MINOR ENCROACHMENT

GUIDANCE:

1. All lanes should be a minimum of 3 m (10ft) in width as measured to the near face of the channelizing devices.
 2. The treatment shown should be used on a minor road having low speeds. For higher-speed traffic conditions, a lane closure should be used.
- OPTION:**
3. For short-term use on low-volume, low-speed roadways with vehicular traffic that does not include longer and wider heavy commercial vehicles, a minimum lane width of 2.7 m (9ft) may be used.
 4. Where the opposite shoulder is suitable for carrying vehicular traffic and of adequate width, lanes may be shifted by use of closely spaced channelizing devices, provided that the minimum lane width of 3 m (10ft) is maintained.
 5. Additional advance warning may be appropriate, such as ROAD NARROWS sign.

6. Temporary traffic barriers may be used along with the work space.
7. The shadow vehicle may be omitted if a taper and channelizing devices are used.
8. A truck-mounted attenuator may be used on the shadow vehicle.
9. For short-duration work, the taper and channelizing devices may be omitted if a shadow vehicle with activated rotating lights or strobe lights is used.
10. Vehicle hazard warning signals may be used to supplement rotating lights or strobe lights.

STANDARD:

11. Vehicle hazard warning signals shall not be used instead of the vehicle's rotating lights or strobe lights.

JOB DESCRIPTION

PROJECT NAME AUTUMN CREST	
PROJECT CITY	
DATE	DESCRIPTION TRAFFIC CONTROL
SHEET TC1	DRAWN BY DELTA FIBER
SCALE	PAGE TC1

MATERIALS LIST

ITEM	DESCRIPTION	QTY.
1	TRIDENT RTD 1X12	
2	TRIDENT RTD 1X12	
3	TRIDENT RTD 1X12	
4	TRIDENT RTD 1X12	
5	48 CT FOC	
6	48 CT FOC LOOP	
7	72 CT FOC	
8	72 CT FOC LOOP	
9	144 CT FOC	
10	144 CT FOC LOOP	
11	288 CT FOC	
12	288 CT FOC LOOP	
13	432 CT FOC	
14	432 CT FOC LOOP	
15	BDO288P LCP	
16	UH2	
17	UH3	
18	UH4	
19	UH5	
20	1-1.25" SDR11 HDPE	
21	2-1.25" SDR11 HDPE	
22	3-1.25" SDR11 HDPE	
23	4-1.25" SDR11 HDPE	
24	5-1.25" SDR11 HDPE	
25	6-1.25" SDR11 HDPE	
26	TYCO "B" SPLICE CASE	
27	TYCO "D" SPLICE CASE	
28	GROUND ROD	
29	SPLICES	
30	BM53FA	

REVISIONS

No.	Revision/Issue	Date

MAP NUMBER

--	--	--

PREPARED BY

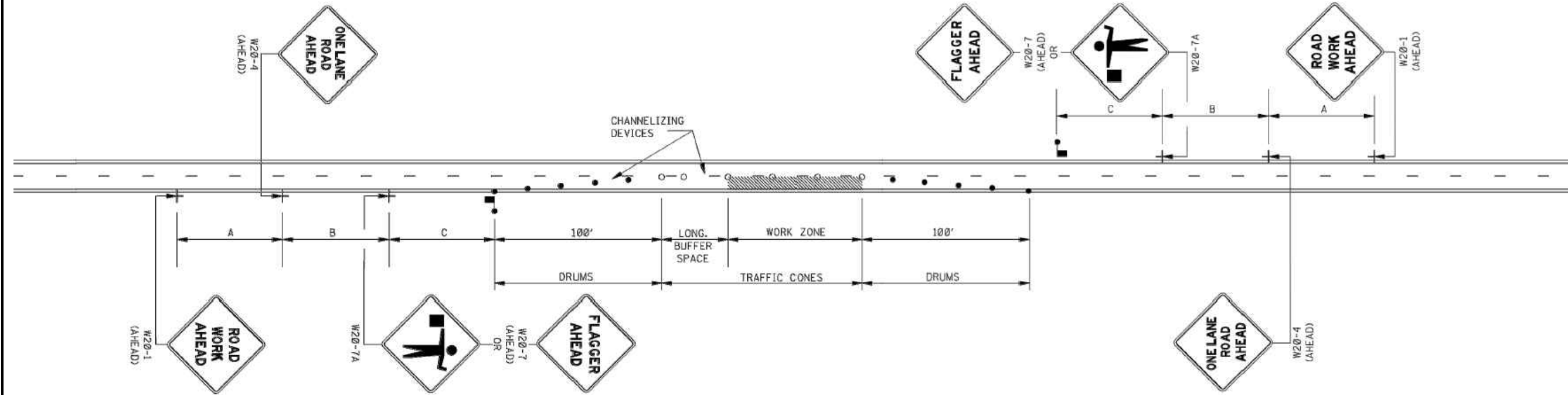


PREPARED FOR



DISCLAIMER

EXCEPT AS MAY BE OTHERWISE PROVIDED BY CONTRACT, THESE DRAWINGS AND SPECIFICATIONS SHALL REMAIN THE PROPERTY OF CSPIRE FIBER. BEING ISSUED IN STRICT CONFIDENCE AND SHALL NOT BE REPRODUCED, COPIED, OR USED FOR ANY PURPOSE WITHOUT SPECIFIC WRITTEN PERMISSION.



GENERAL NOTES:

1. THE LOCATION OF CHANNELIZING DEVICES AND THE WORK AREA LAYOUT SHALL BE BASED ON THE CRITERIA IN THE FOLLOWING TABLE. FLAGGER STATIONS SHALL BE LOCATED SUCH THAT APPROACHING VEHICLES WILL HAVE SUFFICIENT DISTANCE TO STOP. VALUES IN STOPPING SIGHT DISTANCE COLUMN MAY BE USED AS A MINIMUM FOR THIS DISTANCE.

POSTED SPEED AND/OR DESIGN SPEED	MAXIMUM CHANNELIZING DEVICE SPACING (ft)		LONGITUDINAL BUFFER SPACE (ft)	STOPPING SIGHT DISTANCE
	TAPER	ALONG LANE LINE & WORK ZONE		
mph				
25	20	50	55	155
30	20	60	85	200
35	20	70	120	250
40	20	80	170	305
45	20	90	220	360
50	20	100	280	425
55	20	110	335	495
60	20	120	415	570
65	20	130	485	645

NOTE: BUFFER SPACE MAY BE ADJUSTED AS NEEDED ACCORDING TO ROADWAY GEOMETRY TO MEET SIGHT DISTANCE REQUIREMENTS, AS DIRECTED BY THE ENGINEER.

2. ALL CHANNELIZING DEVICES SHALL BE A MINIMUM OF 28" IN HEIGHT.
3. DIAMOND SHAPED TRAFFIC CONTROL SIGNS SHALL BE A MINIMUM OF 36" x 36" AND BLACK COPY ON FLUORESCENT ORANGE SHEETING.
4. WHEN WORK ZONE IS NO LONGER NEEDED, ALL SIGNS SHALL BE COVERED OR REMOVED AND ALL CHANNELIZING DEVICES SHALL BE MOVED TO THE SHOULDER EDGE.
5. ADDITIONAL FLAGGERS MAY BE NEEDED AS DIRECTED BY THE ENGINEER.
6. WHEN WORK IS REQUIRED AT NIGHT, FLAGGER STATIONS SHALL BE ILLUMINATED.
7. CHANNELIZING DEVICE TYPES FOR:
 A. APPROACH AND EXIT TAPERS - RETROREFLECTIVE PLASTIC DRUMS
 B. ALONG LANE LINE AND WORK ZONE - TRAFFIC CONES (28" HEIGHT)
8. ALL TRAFFIC CONTROL ITEMS SHOWN ON THIS SHEET WILL NOT BE MEASURED FOR SEPARATE PAYMENT. THIS WORK SHALL BE INCLUDED IN THE PRICE BID FOR MAINTENANCE OF TRAFFIC.

JOB DESCRIPTION

PROJECT NAME AUTUMN CREST	
PROJECT CITY	
DATE	DESCRIPTION TRAFFIC CONTROL
SHEET TC2	DRAWN BY DELTA FIBER
SCALE	PAGE TC2

MATERIALS LIST

ITEM	DESCRIPTION	QTY.
1	TRIDENT RTD 1X12	
2	TRIDENT RTD 1X12	
3	TRIDENT RTD 1X12	
4	TRIDENT RTD 1X12	
5	48 CT FOC	
6	48 CT FOC LOOP	
7	72 CT FOC	
8	72 CT FOC LOOP	
9	144 CT FOC	
10	144 CT FOC LOOP	
11	288 CT FOC	
12	288 CT FOC LOOP	
13	432 CT FOC	
14	432 CT FOC LOOP	
15	BDO288P LCP	
16	UH2	
17	UH3	
18	UH4	
19	UH5	
20	1-1.25" SDR11 HDPE	
21	2-1.25" SDR11 HDPE	
22	3-1.25" SDR11 HDPE	
23	4-1.25" SDR11 HDPE	
24	5-1.25" SDR11 HDPE	
25	6-1.25" SDR11 HDPE	
26	TYCO "B" SPLICE CASE	
27	TYCO "D" SPLICE CASE	
28	GROUND ROD	
29	SPLICES	
30	BM53FA	

REVISIONS

No.	Revision/Issue	Date

MAP NUMBER	

PREPARED BY:



PREPARED FOR



DISCLAIMER

EXCEPT AS MAY BE OTHERWISE PROVIDED BY CONTRACT, THESE DRAWINGS AND SPECIFICATIONS SHALL REMAIN THE PROPERTY OF CSPIRE FIBER. BEING ISSUED IN STRICT CONFIDENCE AND SHALL NOT BE REPRODUCED, COPIED, OR USED FOR ANY PURPOSE WITHOUT SPECIFIC WRITTEN PERMISSION.



MADISON COUNTY, MISSISSIPPI

SEE SHEET 7

JOB DESCRIPTION

PROJECT NAME AUTUMN CREST	
PROJECT CITY	
DATE	DESCRIPTION CONSTRUCTION
SHEET 001	DRAWN BY DELTA FIBER
SCALE 1"=50'	PAGE 1

MATERIALS LIST

ITEM	DESCRIPTION	QTY.
1	TRIDENT RTD 1X12	
2	TRIDENT RTD 1X12	
3	TRIDENT RTD 1X12	
4	TRIDENT RTD 1X12	
5	24 CT FOC	
6	24 CT FOC LOOP	
7	48 CT FOC	177
8	48 CT FOC LOOP	150
9	72 CT FOC	79
10	72 CT FOC LOOP	150
11	144 CT FOC	
12	144 CT FOC LOOP	
13	288 CT FOC	
14	288 CT FOC LOOP	100
15	BDO288P LCP	1
16	UH2	
17	UH3	1
18	UH4	
19	UH5	1
20	1-1.25" SDR11 HDPE	
21	2-1.25" SDR11 HDPE	256
22	3-1.25" SDR11 HDPE	
23	4-1.25" SDR11 HDPE	
24	5-1.25" SDR11 HDPE	
25	6-1.25" SDR11 HDPE	
26	TYCO "B" SPLICE CASE	1
27	TYCO "D" SPLICE CASE	1
28	GROUND ROD	3
29	SPLICES	408
30	BM53FA	2

REVISIONS

No.	Revision/Issue	Date

MAP NUMBER

7
2

PREPARED BY



PREPARED FOR



DISCLAIMER

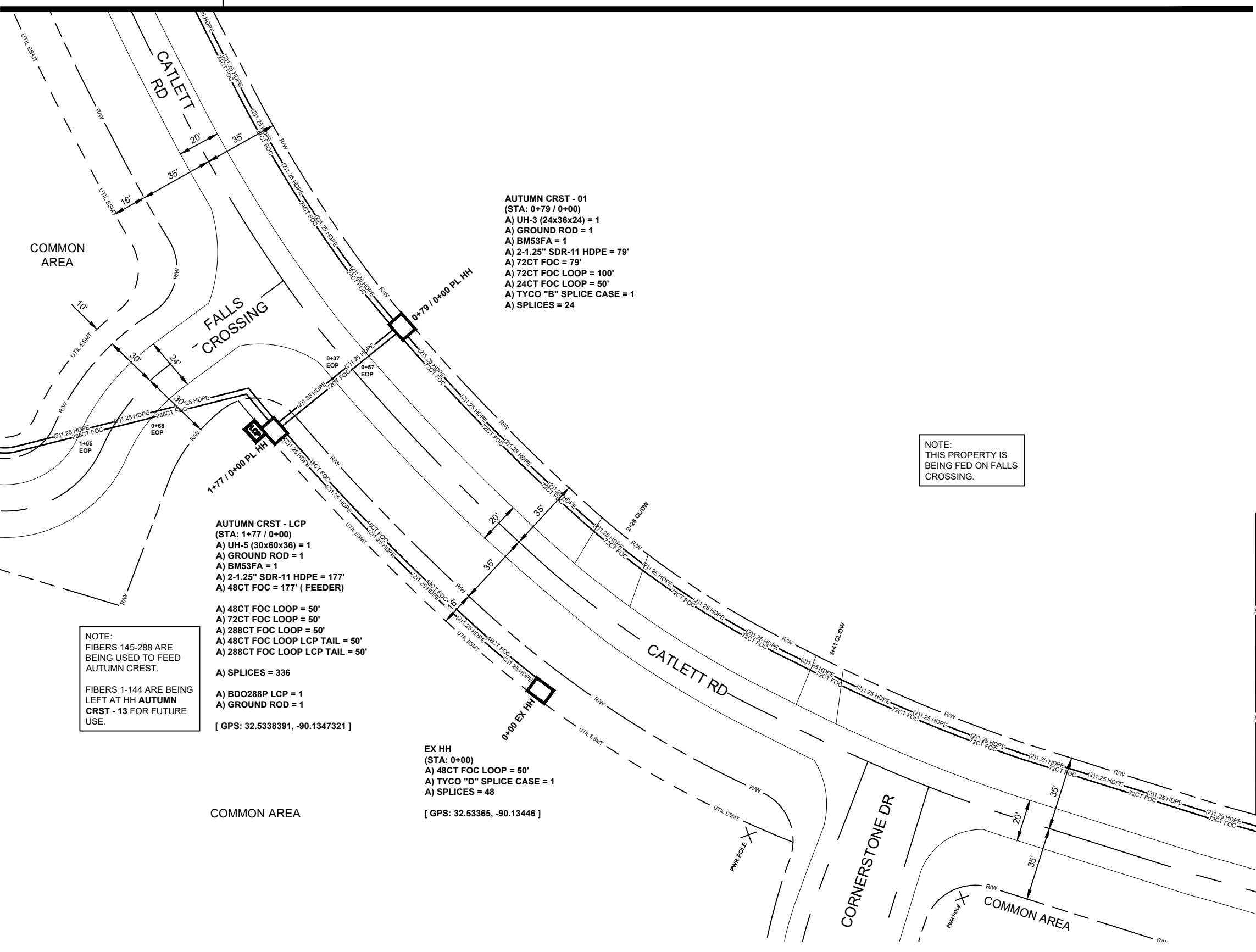
EXCEPT AS MAY BE OTHERWISE PROVIDED BY CONTRACT THESE DRAWINGS AND SPECIFICATIONS SHALL REMAIN THE PROPERTY OF CSPIRE FIBER. BEING ISSUED IN STRICT CONFIDENCE AND SHALL NOT BE REPRODUCED, COPIED, OR USED FOR ANY PURPOSE WITHOUT SPECIFIC WRITTEN PERMISSION.

ALL CABLE WILL BE PLACED BY METHOD OF DIRECTIONAL BORE MIN 2' OFF ROW OR EASEMENT @ 48" DOC UNLESS OTHERWISE NOTED.

NOTIFY ALL UTILITIES 72 HOURS PRIOR TO CONSTRUCTION ACTIVITY.
ONE CALL SYSTEM @ 1-800-227-6477

SEE SHEET 2

SEE SHEET 11



AUTUMN CRST - 01
 (STA: 0+79 / 0+00)
 A) UH-3 (24x36x24) = 1
 A) GROUND ROD = 1
 A) BM53FA = 1
 A) 2-1.25" SDR-11 HDPE = 79'
 A) 72CT FOC = 79'
 A) 72CT FOC LOOP = 100'
 A) 24CT FOC LOOP = 50'
 A) TYCO "B" SPLICE CASE = 1
 A) SPLICES = 24

AUTUMN CRST - LCP
 (STA: 1+77 / 0+00)
 A) UH-5 (30x60x36) = 1
 A) GROUND ROD = 1
 A) BM53FA = 1
 A) 2-1.25" SDR-11 HDPE = 177'
 A) 48CT FOC = 177' (FEEDER)
 A) 48CT FOC LOOP = 50'
 A) 72CT FOC LOOP = 50'
 A) 288CT FOC LOOP = 50'
 A) 48CT FOC LOOP LCP TAIL = 50'
 A) 288CT FOC LOOP LCP TAIL = 50'
 A) SPLICES = 336
 A) BDO288P LCP = 1
 A) GROUND ROD = 1
 [GPS: 32.5338391, -90.1347321]

NOTE:
 FIBERS 145-288 ARE BEING USED TO FEED AUTUMN CREST.
 FIBERS 1-144 ARE BEING LEFT AT HH AUTUMN CRST - 13 FOR FUTURE USE.

EX HH
 (STA: 0+00)
 A) 48CT FOC LOOP = 50'
 A) TYCO "D" SPLICE CASE = 1
 A) SPLICES = 48
 [GPS: 32.53365, -90.13446]

NOTE:
 THIS PROPERTY IS BEING FED ON FALLS CROSSING.

JOB DESCRIPTION

PROJECT NAME AUTUMN CRST	
PROJECT CITY	
DATE	DESCRIPTION CONSTRUCTION
SHEET 002	DRAWN BY DELTA FIBER
SCALE 1"=50'	PAGE 2

MATERIALS LIST

ITEM	DESCRIPTION	QTY.
1	TRIDENT RTD 1X12	
2	TRIDENT RTD 1X12	
3	TRIDENT RTD 1X12	100
4	TRIDENT RTD 1X12	100
5	24 CT FOC	
6	24 CT FOC LOOP	
7	48 CT FOC	
8	48 CT FOC LOOP	
9	72 CT FOC	
10	72 CT FOC LOOP	
11	144 CT FOC	
12	144 CT FOC LOOP	
13	288 CT FOC	620
14	288 CT FOC LOOP	200
15	BDO288P LCP	
16	UH2	9
17	UH3	
18	UH4	2
19	UH5	
20	1-1.25" SDR11 HDPE	223
21	2-1.25" SDR11 HDPE	532
22	3-1.25" SDR11 HDPE	460
23	4-1.25" SDR11 HDPE	
24	5-1.25" SDR11 HDPE	
25	6-1.25" SDR11 HDPE	
26	TYCO "B" SPLICE CASE	
27	TYCO "D" SPLICE CASE	2
28	GROUND ROD	2
29	SPLICES	24
30	BM53FA	2

REVISIONS

No.	Revision/Issue	Date

MAP NUMBER

4	7
3	2
6	1

PREPARED BY



PREPARED FOR

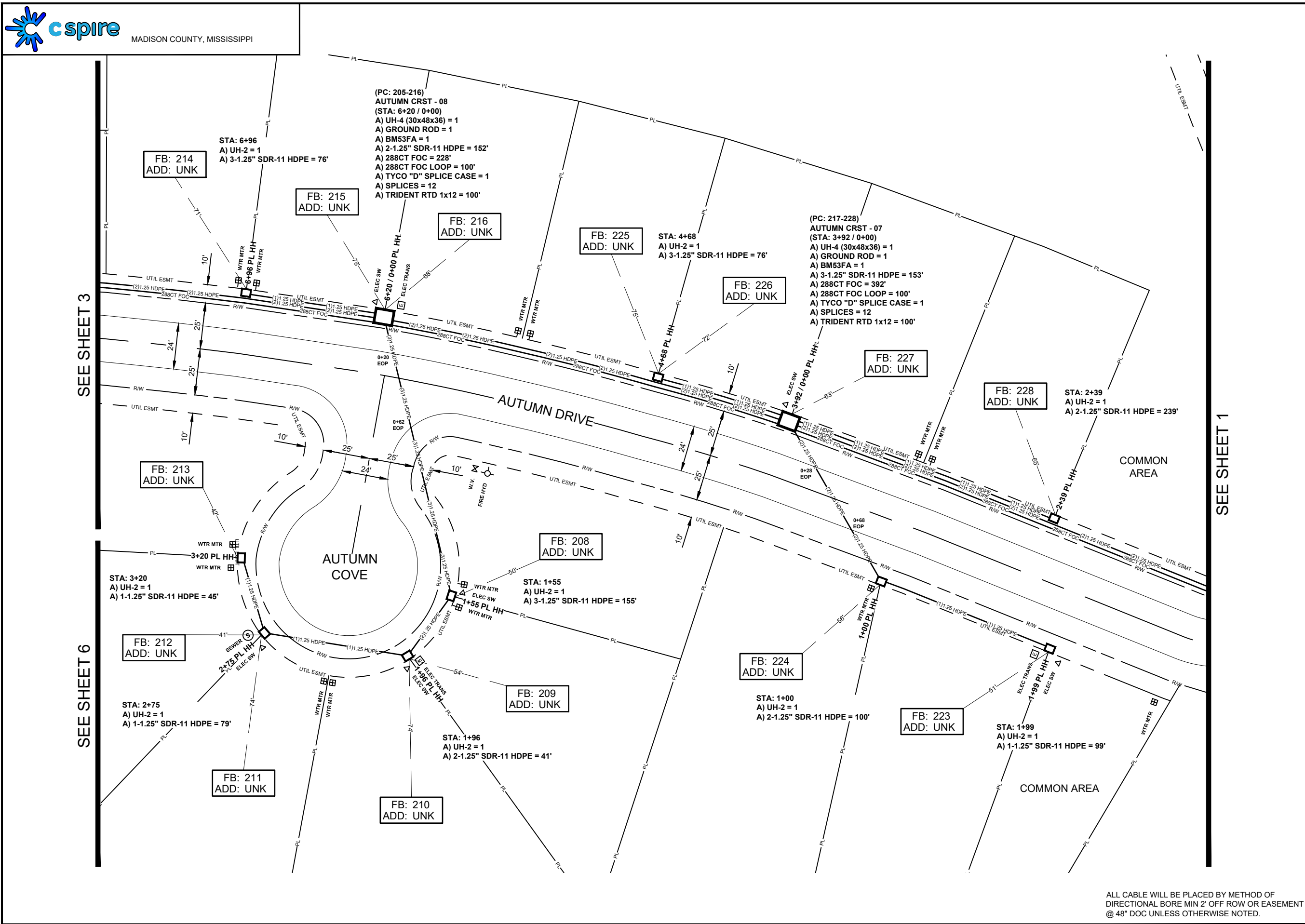


DISCLAIMER

EXCEPT AS MAY BE OTHERWISE PROVIDED BY CONTRACT, THESE DRAWINGS AND SPECIFICATIONS SHALL REMAIN THE PROPERTY OF CSPIRE FIBER. NO REISSUE OR REVISIONS SHALL BE MADE WITHOUT THE WRITTEN PERMISSION OF CSPIRE FIBER. COPIES OF THESE DRAWINGS ARE NOT TO BE REPRODUCED, COPIED, OR USED FOR ANY PURPOSE WITHOUT SPECIFIC WRITTEN PERMISSION.

ALL CABLE WILL BE PLACED BY METHOD OF DIRECTIONAL BORE MIN 2' OFF ROW OR EASEMENT @ 48" DOC UNLESS OTHERWISE NOTED.

NOTIFY ALL UTILITIES 72 HOURS PRIOR TO CONSTRUCTION ACTIVITY.
ONE CALL SYSTEM @ 1-800-227-6477



JOB DESCRIPTION

PROJECT NAME AUTUMN CREST	
PROJECT CITY	
DATE	DESCRIPTION CONSTRUCTION
SHEET 003	DRAWN BY DELTA FIBER
SCALE 1"=50'	PAGE 3

MATERIALS LIST

ITEM	DESCRIPTION	QTY.
1	TRIDENT RTD 1X12	
2	TRIDENT RTD 1X12	100
3	TRIDENT RTD 1X12	100
4	TRIDENT RTD 1X12	100
5	24 CT FOC	
6	24 CT FOC LOOP	
7	48 CT FOC	241
8	48 CT FOC LOOP	150
9	72 CT FOC	
10	72 CT FOC LOOP	
11	144 CT FOC	
12	144 CT FOC LOOP	
13	288 CT FOC	645
14	288 CT FOC LOOP	150
15	BDO288P LCP	
16	UH2	9
17	UH3	1
18	UH4	2
19	UH5	
20	1-1.25" SDR11 HDPE	230
21	2-1.25" SDR11 HDPE	702
22	3-1.25" SDR11 HDPE	316
23	4-1.25" SDR11 HDPE	
24	5-1.25" SDR11 HDPE	
25	6-1.25" SDR11 HDPE	
26	TYCO "B" SPLICE CASE	1
27	TYCO "D" SPLICE CASE	2
28	GROUND ROD	3
29	SPLICES	72
30	BM53FA	3


REVISIONS

No.	Revision/Issue	Date


MAP NUMBER

5	4
3	2
6	

PREPARED BY

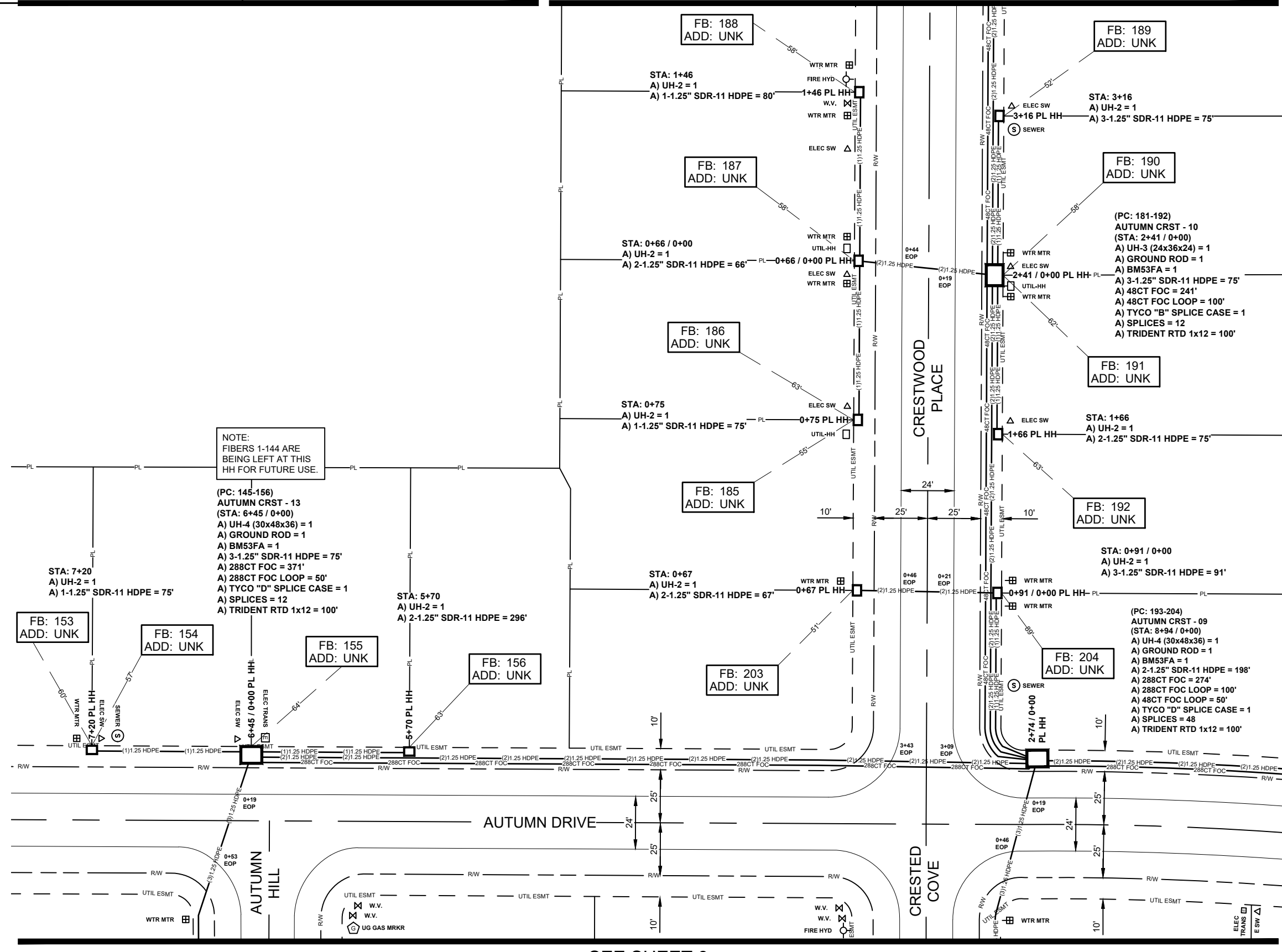


PREPARED FOR



DISCLAIMER

EXCEPT AS MAY BE OTHERWISE PROVIDED BY CONTRACT, THESE DRAWINGS AND SPECIFICATIONS SHALL REMAIN THE PROPERTY OF CSPIRE FIBER. BEING ISSUED IN STRICT CONFIDENCE AND SHALL NOT BE REPRODUCED, COPIED, OR USED FOR ANY PURPOSE WITHOUT SPECIFIC WRITTEN PERMISSION.



NOTE:
FIBERS 1-144 ARE
BEING LEFT AT THIS
HH FOR FUTURE USE.

ALL CABLE WILL BE PLACED BY METHOD OF
DIRECTIONAL BORE MIN 2' OFF ROW OR EASEMENT
@ 48" DOC UNLESS OTHERWISE NOTED.

NOTIFY ALL UTILITIES 72 HOURS PRIOR
TO CONSTRUCTION ACTIVITY.
ONE CALL SYSTEM @ 1-800-227-6477

SEE SHEET 2

JOB DESCRIPTION

PROJECT NAME AUTUMN CREST	
PROJECT CITY	
DATE	DESCRIPTION CONSTRUCTION
SHEET 004	DRAWN BY DELTA FIBER
SCALE 1"=50'	PAGE 4

MATERIALS LIST

ITEM	DESCRIPTION	QTY.
1	TRIDENT RTD 1X12	
2	TRIDENT RTD 1X12	
3	TRIDENT RTD 1X12	
4	TRIDENT RTD 1X12	100
5	24 CT FOC	
6	24 CT FOC LOOP	
7	48 CT FOC	310
8	48 CT FOC LOOP	100
9	72 CT FOC	
10	72 CT FOC LOOP	
11	144 CT FOC	
12	144 CT FOC LOOP	
13	288 CT FOC	
14	288 CT FOC LOOP	
15	BDO288P LCP	
16	UH2	6
17	UH3	1
18	UH4	
19	UH5	
20	1-1.25" SDR11 HDPE	82
21	2-1.25" SDR11 HDPE	402
22	3-1.25" SDR11 HDPE	217
23	4-1.25" SDR11 HDPE	50
24	5-1.25" SDR11 HDPE	
25	6-1.25" SDR11 HDPE	
26	TYCO "B" SPLICE CASE	1
27	TYCO "D" SPLICE CASE	
28	GROUND ROD	1
29	SPLICES	12
30	BM53FA	1


REVISIONS

No.	Revision/Issue	Date

MAP NUMBER

5	4	8
	3	

PREPARED BY



PREPARED FOR



DISCLAIMER
 EXCEPT AS MAY BE OTHERWISE PROVIDED BY CONTRACT, THESE DRAWINGS AND SPECIFICATIONS SHALL REMAIN THE PROPERTY OF CSPIRE FIBER. BEING ISSUED IN STRICT CONFIDENCE AND SHALL NOT BE REPRODUCED, COPIED, OR USED FOR ANY PURPOSE WITHOUT SPECIFIC WRITTEN PERMISSION.

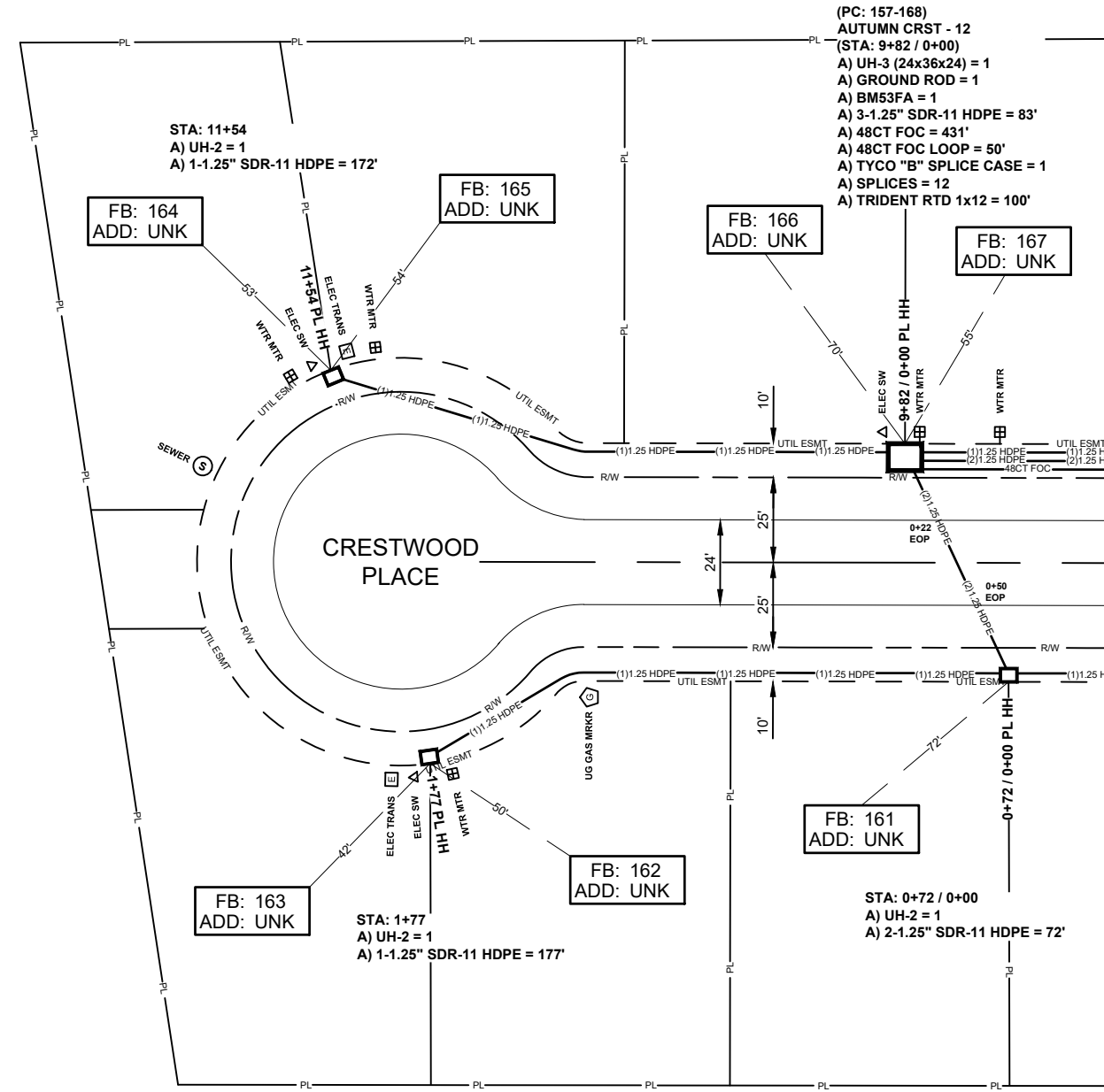
SEE SHEET 5

SEE SHEET 8

SEE SHEET 3

ALL CABLE WILL BE PLACED BY METHOD OF DIRECTIONAL BORE MIN 2' OFF ROW OR EASEMENT @ 48" DOC UNLESS OTHERWISE NOTED.

NOTIFY ALL UTILITIES 72 HOURS PRIOR TO CONSTRUCTION ACTIVITY.
 ONE CALL SYSTEM @ 1-800-227-6477



SEE SHEET 4

JOB DESCRIPTION

PROJECT NAME AUTUMN CRST	
PROJECT CITY	
DATE	DESCRIPTION CONSTRUCTION
SHEET 005	DRAWN BY DELTA FIBER
SCALE 1"=50'	PAGE 5

MATERIALS LIST

ITEM	DESCRIPTION	QTY.
1	TRIDENT RTD 1X12	
2	TRIDENT RTD 1X12	
3	TRIDENT RTD 1X12	
4	TRIDENT RTD 1X12	100
5	24 CT FOC	
6	24 CT FOC LOOP	
7	48 CT FOC	431
8	48 CT FOC LOOP	50
9	72 CT FOC	
10	72 CT FOC LOOP	
11	144 CT FOC	
12	144 CT FOC LOOP	
13	288 CT FOC	
14	288 CT FOC LOOP	
15	BDO288P LCP	
16	UH2	3
17	UH3	1
18	UH4	
19	UH5	
20	1-1.25" SDR11 HDPE	349
21	2-1.25" SDR11 HDPE	72
22	3-1.25" SDR11 HDPE	83
23	4-1.25" SDR11 HDPE	
24	5-1.25" SDR11 HDPE	
25	6-1.25" SDR11 HDPE	
26	TYCO "B" SPLICE CASE	1
27	TYCO "D" SPLICE CASE	
28	GROUND ROD	1
29	SPLICES	12
30	BM53FA	1

REVISIONS

No.	Revision/Issue	Date

MAP NUMBER	
5	4
3	

PREPARED BY:



PREPARED FOR:



DISCLAIMER

EXCEPT AS MAY BE OTHERWISE PROVIDED BY CONTRACT, THESE DRAWINGS AND SPECIFICATIONS SHALL REMAIN THE PROPERTY OF CSPIRE FIBER. BEING ISSUED IN STRICT CONFIDENCE AND SHALL NOT BE REPRODUCED, COPIED, OR USED FOR ANY PURPOSE WITHOUT SPECIFIC WRITTEN PERMISSION.

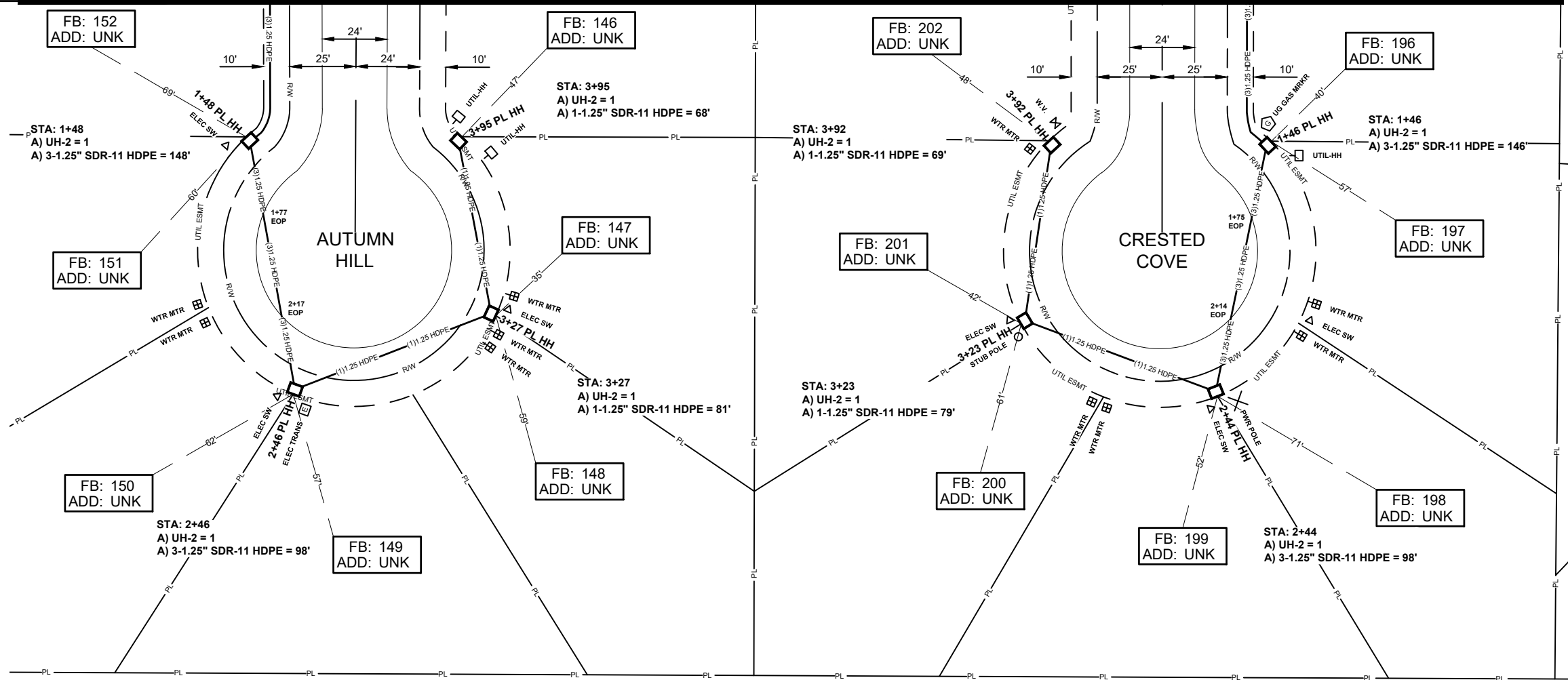
ALL CABLE WILL BE PLACED BY METHOD OF DIRECTIONAL BORE MIN 2' OFF ROW OR EASEMENT @ 48" DOC UNLESS OTHERWISE NOTED.

NOTIFY ALL UTILITIES 72 HOURS PRIOR TO CONSTRUCTION ACTIVITY.
ONE CALL SYSTEM @ 1-800-227-6477



MADISON COUNTY, MISSISSIPPI

SEE SHEET 3



SEE SHEET 2

JOB DESCRIPTION

PROJECT NAME AUTUMN CREST	
PROJECT CITY	
DATE	DESCRIPTION CONSTRUCTION
SHEET 006	DRAWN BY DELTA FIBER
SCALE 1"=50'	PAGE 6

MATERIALS LIST

ITEM	DESCRIPTION	QTY.
1	TRIDENT RTD 1X12	
2	TRIDENT RTD 1X12	
3	TRIDENT RTD 1X12	
4	TRIDENT RTD 1X12	
5	24 CT FOC	
6	24 CT FOC LOOP	
7	48 CT FOC	
8	48 CT FOC LOOP	
9	72 CT FOC	
10	72 CT FOC LOOP	
11	144 CT FOC	
12	144 CT FOC LOOP	
13	288 CT FOC	
14	288 CT FOC LOOP	
15	BDO288P LCP	
16	UH2	8
17	UH3	
18	UH4	
19	UH5	
20	1-1.25" SDR11 HDPE	297
21	2-1.25" SDR11 HDPE	
22	3-1.25" SDR11 HDPE	490
23	4-1.25" SDR11 HDPE	
24	5-1.25" SDR11 HDPE	
25	6-1.25" SDR11 HDPE	
26	TYCO "B" SPLICE CASE	
27	TYCO "D" SPLICE CASE	
28	GROUND ROD	
29	SPLICES	
30	BM53FA	

REVISIONS

No.	Revision/Issue	Date

MAP NUMBER	
3	
6	2

PREPARED BY



PREPARED FOR

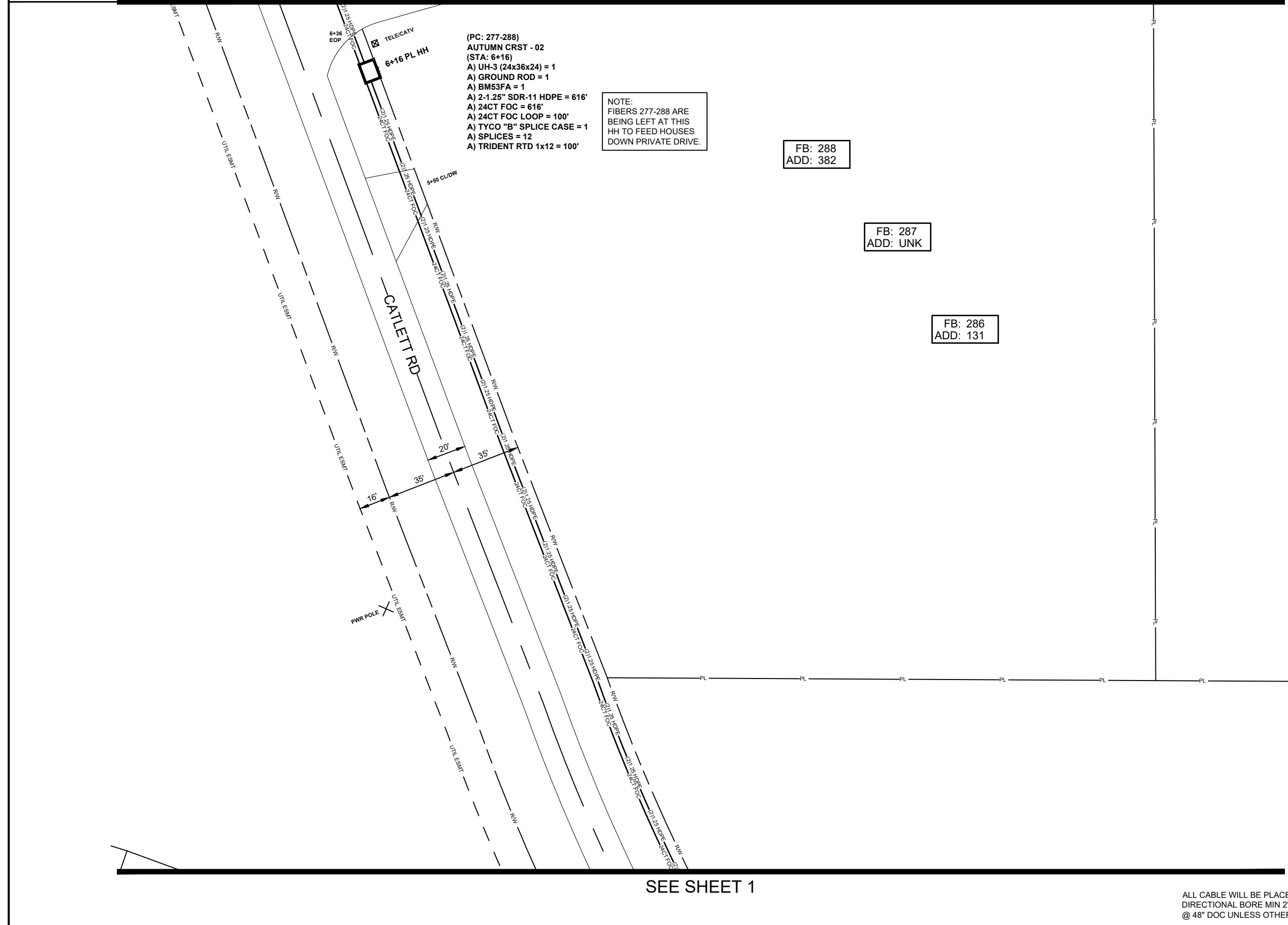


DISCLAIMER

EXCEPT AS MAY BE OTHERWISE PROVIDED BY CONTRACT, THESE DRAWINGS AND SPECIFICATIONS SHALL REMAIN THE PROPERTY OF CSPIRE FIBER. NO REISSUE IN STRICT CONFIDENCE AND SHALL NOT BE REPRODUCED, COPIED, OR USED FOR ANY PURPOSE WITHOUT SPECIFIC WRITTEN PERMISSION.

ALL CABLE WILL BE PLACED BY METHOD OF DIRECTIONAL BORE MIN 2' OFF ROW OR EASEMENT @ 48" DOC UNLESS OTHERWISE NOTED.

NOTIFY ALL UTILITIES 72 HOURS PRIOR TO CONSTRUCTION ACTIVITY.
ONE CALL SYSTEM @ 1-800-227-6477



(PC: 277-288)
 AUTUMN CRST - 02
 (STA: 6+16)
 A) UH-3 (24x36x24) = 1
 A) GROUND ROD = 1
 A) BM53FA = 1
 A) 2-1.25" SDR-11 HDPE = 616'
 A) 24CT FOC = 616'
 A) 24CT FOC LOOP = 100'
 A) TYCO "B" SPLICE CASE = 1
 A) SPLICES = 12
 A) TRIDENT RTD 1x12 = 100'

NOTE:
 FIBERS 277-288 ARE
 BEING LEFT AT THIS
 HH TO FEED HOUSES
 DOWN PRIVATE DRIVE.

FB: 288
 ADD: 382

FB: 287
 ADD: UNK

FB: 286
 ADD: 131

JOB DESCRIPTION

PROJECT NAME AUTUMN CREST	
PROJECT CITY	
DATE	DESCRIPTION CONSTRUCTION
SHEET 007	DRAWN BY DELTA FIBER
SCALE 1"=50'	PAGE 7

MATERIALS LIST

ITEM	DESCRIPTION	QTY.
1	TRIDENT RTD 1X12	100
2	TRIDENT RTD 1X12	
3	TRIDENT RTD 1X12	
4	TRIDENT RTD 1X12	
5	24 CT FOC	616
6	24 CT FOC LOOP	100
7	48 CT FOC	
8	48 CT FOC LOOP	
9	72 CT FOC	
10	72 CT FOC LOOP	
11	144 CT FOC	
12	144 CT FOC LOOP	
13	288 CT FOC	
14	288 CT FOC LOOP	
15	BDO288P LCP	
16	UH2	
17	UH3	1
18	UH4	
19	UH5	
20	1-1.25" SDR11 HDPE	
21	2-1.25" SDR11 HDPE	616
22	3-1.25" SDR11 HDPE	
23	4-1.25" SDR11 HDPE	
24	5-1.25" SDR11 HDPE	
25	6-1.25" SDR11 HDPE	
26	TYCO "B" SPLICE CASE	1
27	TYCO "D" SPLICE CASE	
28	GROUND ROD	1
29	SPLICES	12
30	BM53FA	1

REVISIONS

No.	Revision/Issue	Date

MAP NUMBER

4	8	
7		
2	1	

PREPARED BY



PREPARED FOR



DISCLAIMER

EXCEPT AS MAY BE OTHERWISE PROVIDED BY CONTRACT, THESE DRAWINGS AND SPECIFICATIONS SHALL REMAIN THE PROPERTY OF CSPIRE FIBER. BEING ISSUED IN STRICT CONFIDENCE AND SHALL NOT BE REPRODUCED, COPIED, OR USED FOR ANY PURPOSE WITHOUT SPECIFIC WRITTEN PERMISSION.

ALL CABLE WILL BE PLACED BY METHOD OF DIRECTIONAL BORE MIN 2' OFF ROW OR EASEMENT @ 48" DOC UNLESS OTHERWISE NOTED.

NOTIFY ALL UTILITIES 72 HOURS PRIOR TO CONSTRUCTION ACTIVITY.
 ONE CALL SYSTEM @ 1-800-227-6477

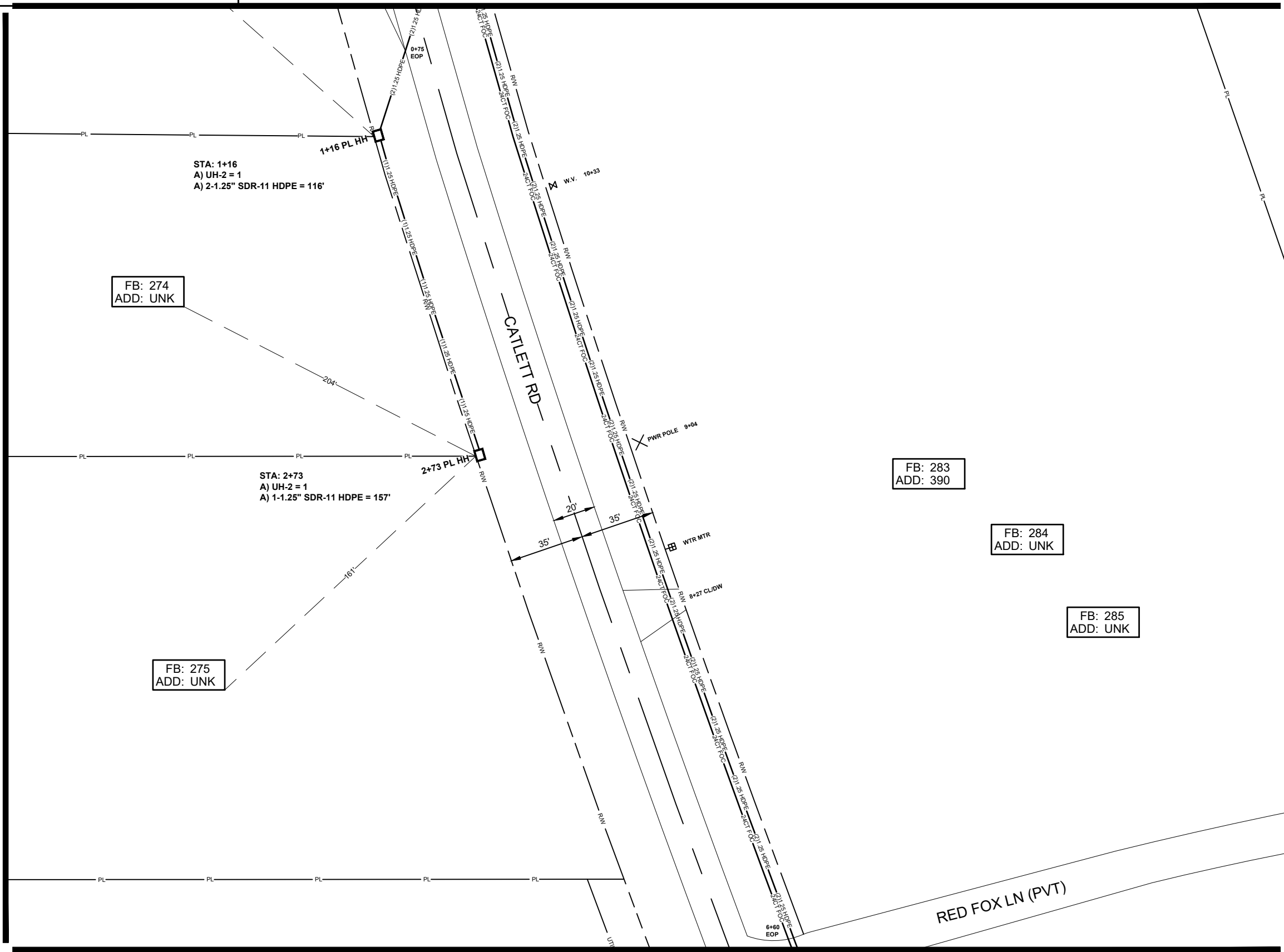


MADISON COUNTY, MISSISSIPPI

SEE SHEET 9

SEE SHEET 4

SEE SHEET 7



JOB DESCRIPTION

PROJECT NAME AUTUMN CREST	
PROJECT CITY	
DATE	DESCRIPTION CONSTRUCTION
SHEET 008	DRAWN BY DELTA FIBER
SCALE 1"=50'	PAGE 8

MATERIALS LIST

ITEM	DESCRIPTION	QTY.
1	TRIDENT RTD 1X12	
2	TRIDENT RTD 1X12	
3	TRIDENT RTD 1X12	
4	TRIDENT RTD 1X12	
5	24 CT FOC	
6	24 CT FOC LOOP	
7	48 CT FOC	
8	48 CT FOC LOOP	
9	72 CT FOC	
10	72 CT FOC LOOP	
11	144 CT FOC	
12	144 CT FOC LOOP	
13	288 CT FOC	
14	288 CT FOC LOOP	
15	BDO288P LCP	
16	UH2	2
17	UH3	
18	UH4	
19	UH5	
20	1-1.25" SDR11 HDPE	157
21	2-1.25" SDR11 HDPE	116
22	3-1.25" SDR11 HDPE	
23	4-1.25" SDR11 HDPE	
24	5-1.25" SDR11 HDPE	
25	6-1.25" SDR11 HDPE	
26	TYCO "B" SPLICE CASE	
27	TYCO "D" SPLICE CASE	
28	GROUND ROD	
29	SPLICES	
30	BM53FA	

REVISIONS

No.	Revision/Issue	Date

MAP NUMBER

10	9	
4	8	
	7	

PREPARED BY



PREPARED FOR

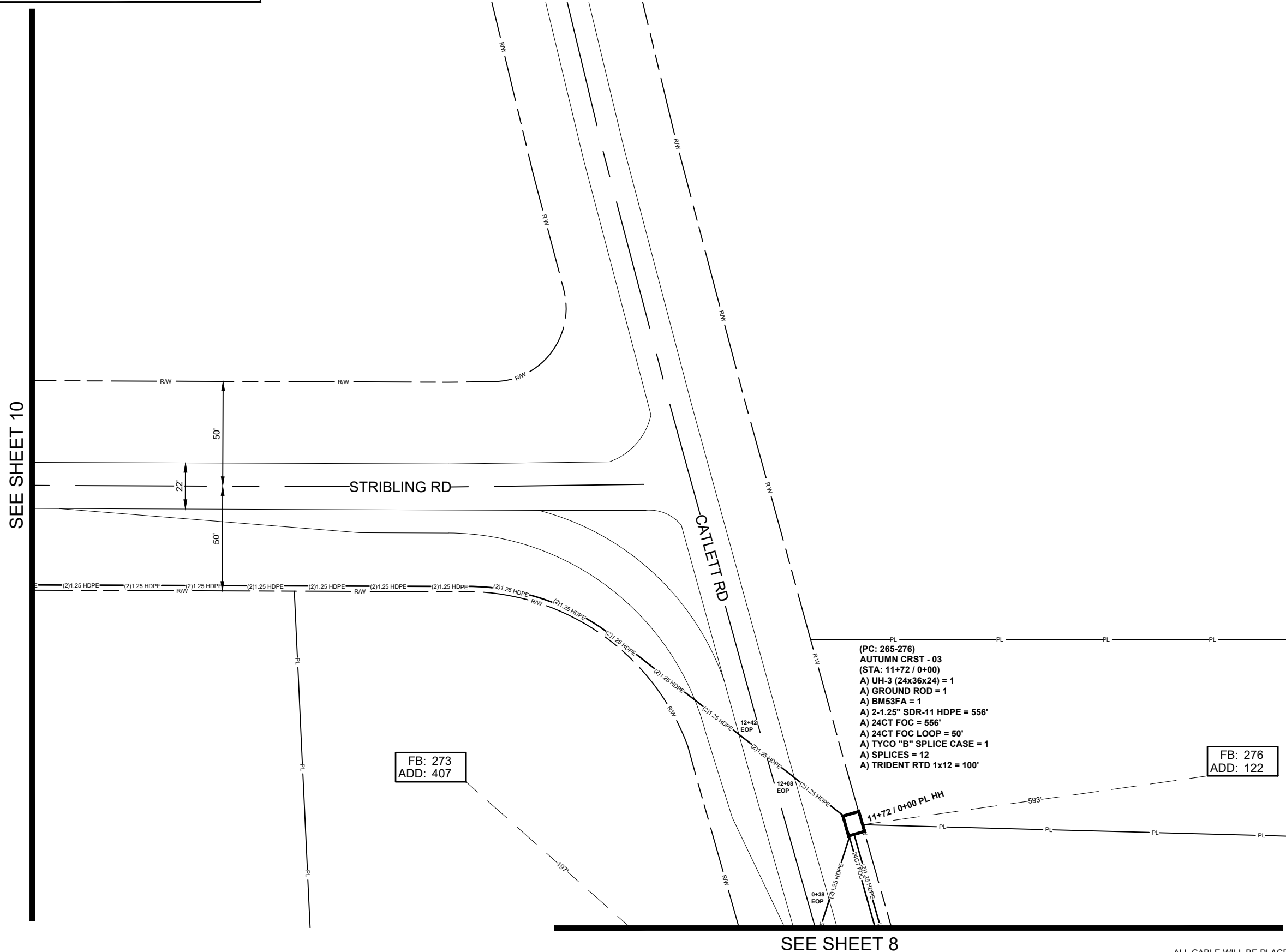


DISCLAIMER

EXCEPT AS MAY BE OTHERWISE PROVIDED BY CONTRACT, THESE DRAWINGS AND SPECIFICATIONS SHALL REMAIN THE PROPERTY OF CSPIRE FIBER. BEING ISSUED IN STRICT CONFIDENCE AND SHALL NOT BE REPRODUCED, COPIED, OR USED FOR ANY PURPOSE WITHOUT SPECIFIC WRITTEN PERMISSION.

ALL CABLE WILL BE PLACED BY METHOD OF DIRECTIONAL BORE MIN 2' OFF ROW OR EASEMENT @ 48" DOC UNLESS OTHERWISE NOTED.

NOTIFY ALL UTILITIES 72 HOURS PRIOR TO CONSTRUCTION ACTIVITY.
ONE CALL SYSTEM @ 1-800-227-6477



- (PC: 265-276)
 AUTUMN CRST - 03
 (STA: 11+72 / 0+00)
 A) UH-3 (24x36x24) = 1
 A) GROUND ROD = 1
 A) BM53FA = 1
 A) 2-1.25" SDR-11 HDPE = 556'
 A) 24CT FOC = 556'
 A) 24CT FOC LOOP = 50'
 A) TYCO "B" SPLICE CASE = 1
 A) SPLICES = 12
 A) TRIDENT RTD 1x12 = 100'

JOB DESCRIPTION

PROJECT NAME AUTUMN CREST	
PROJECT CITY	
DATE 3/30/22	DESCRIPTION CONSTRUCTION
SHEET 009	DRAWN BY DELTA FIBER
SCALE 1"=50'	PAGE 9

MATERIALS LIST

ITEM	DESCRIPTION	QTY.
1	TRIDENT RTD 1X12	100
2	TRIDENT RTD 1X12	
3	TRIDENT RTD 1X12	
4	TRIDENT RTD 1X12	
5	24 CT FOC	556
6	24 CT FOC LOOP	50
7	48 CT FOC	
8	48 CT FOC LOOP	
9	72 CT FOC	
10	72 CT FOC LOOP	
11	144 CT FOC	
12	144 CT FOC LOOP	
13	288 CT FOC	
14	288 CT FOC LOOP	
15	BDO288P LCP	
16	UH2	
17	UH3	1
18	UH4	
19	UH5	
20	1-1.25" SDR11 HDPE	
21	2-1.25" SDR11 HDPE	556
22	3-1.25" SDR11 HDPE	
23	4-1.25" SDR11 HDPE	
24	5-1.25" SDR11 HDPE	
25	6-1.25" SDR11 HDPE	
26	TYCO "B" SPLICE CASE	1
27	TYCO "D" SPLICE CASE	
28	GROUND ROD	1
29	SPLICES	12
30	BM53FA	1

REVISIONS

No.	Revision/Issue	Date

MAP NUMBER		
10	9	8
	8	

PREPARED BY:



PREPARED FOR:



DISCLAIMER

EXCEPT AS MAY BE OTHERWISE PROVIDED BY CONTRACT, THESE DRAWINGS AND SPECIFICATIONS SHALL REMAIN THE PROPERTY OF CSPIRE FIBER. BEING ISSUED IN STRICT CONFIDENCE AND SHALL NOT BE REPRODUCED, COPIED, OR USED FOR ANY PURPOSE WITHOUT SPECIFIC WRITTEN PERMISSION.

ALL CABLE WILL BE PLACED BY METHOD OF DIRECTIONAL BORE MIN 2' OFF ROW OR EASEMENT @ 48" DOC UNLESS OTHERWISE NOTED.

NOTIFY ALL UTILITIES 72 HOURS PRIOR TO CONSTRUCTION ACTIVITY.
 ONE CALL SYSTEM @ 1-800-227-6477

JOB DESCRIPTION

PROJECT NAME AUTUMN CREST	
PROJECT CITY	
DATE 3/30/22	DESCRIPTION CONSTRUCTION
SHEET 10	DRAWN BY DELTA FIBER
SCALE 1"=50'	PAGE 10

MATERIALS LIST

ITEM	DESCRIPTION	QTY.
1	TRIDENT RTD 1X12	
2	TRIDENT RTD 1X12	
3	TRIDENT RTD 1X12	
4	TRIDENT RTD 1X12	
5	24 CT FOC	
6	24 CT FOC LOOP	
7	48 CT FOC	
8	48 CT FOC LOOP	
9	72 CT FOC	
10	72 CT FOC LOOP	
11	144 CT FOC	
12	144 CT FOC LOOP	
13	288 CT FOC	
14	288 CT FOC LOOP	
15	BDO288P LCP	
16	UH2	1
17	UH3	
18	UH4	
19	UH5	
20	1-1.25" SDR11 HDPE	
21	2-1.25" SDR11 HDPE	869
22	3-1.25" SDR11 HDPE	
23	4-1.25" SDR11 HDPE	
24	5-1.25" SDR11 HDPE	
25	6-1.25" SDR11 HDPE	
26	TYCO "B" SPLICE CASE	
27	TYCO "D" SPLICE CASE	
28	GROUND ROD	
29	SPLICES	
30	BM53FA	

REVISIONS

No.	Revision/Issue	Date

MAP NUMBER	
10	9

PREPARED BY

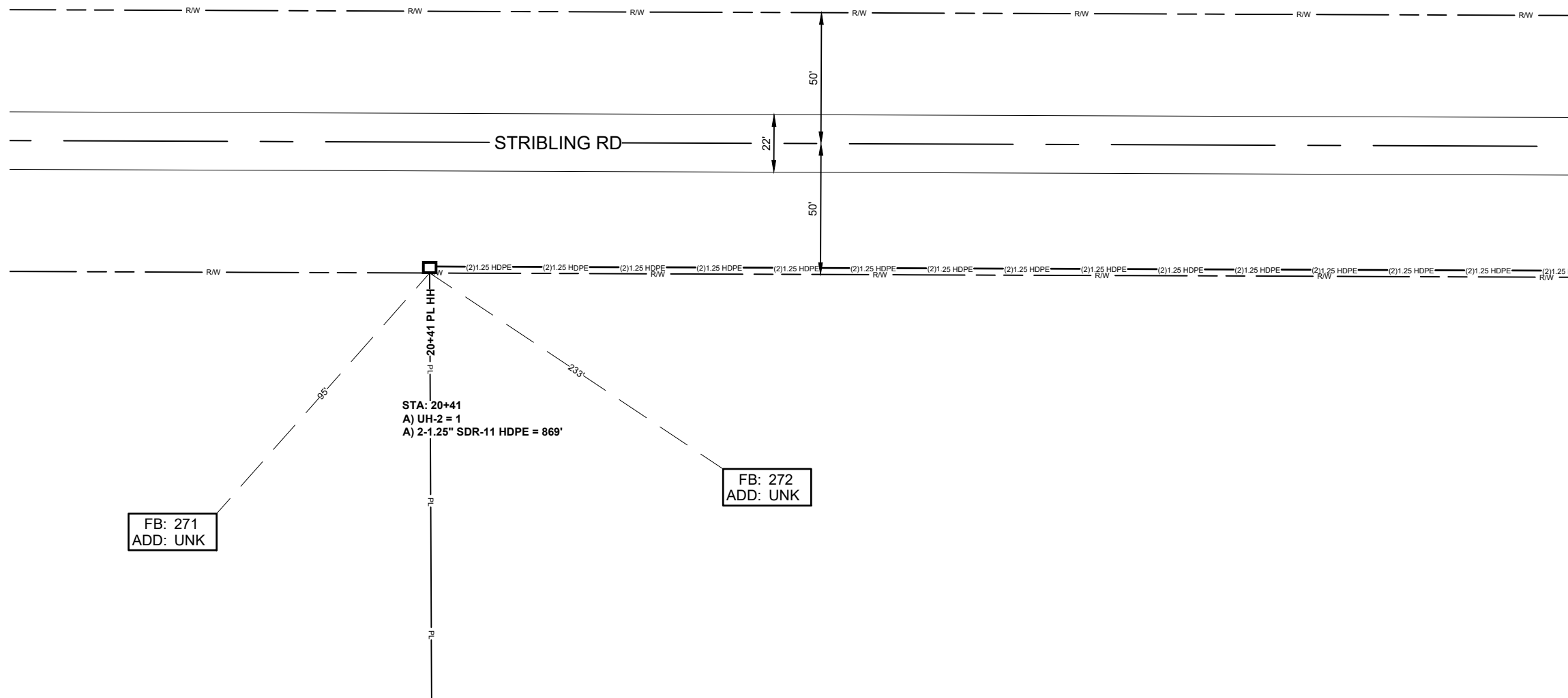


PREPARED FOR



DISCLAIMER

EXCEPT AS MAY BE OTHERWISE PROVIDED BY CONTRACT, THESE DRAWINGS AND SPECIFICATIONS SHALL REMAIN THE PROPERTY OF CSPIRE FIBER. BEING ISSUED IN STRICT CONFIDENCE AND SHALL NOT BE REPRODUCED, COPIED, OR USED FOR ANY PURPOSE WITHOUT SPECIFIC WRITTEN PERMISSION.



SEE SHEET 9

ALL CABLE WILL BE PLACED BY METHOD OF DIRECTIONAL BORE MIN 2' OFF ROW OR EASEMENT @ 48" DOC UNLESS OTHERWISE NOTED.

NOTIFY ALL UTILITIES 72 HOURS PRIOR TO CONSTRUCTION ACTIVITY.
ONE CALL SYSTEM @ 1-800-227-6477

SEE SHEET 1

NOTE:
THIS PROPERTY IS
BEING FED ON FALLS
CROSSING.

SEE SHEET 12

JOB DESCRIPTION

PROJECT NAME AUTUMN CREST	
PROJECT CITY	
DATE 3/30/22	DESCRIPTION CONSTRUCTION
SHEET 011	DRAWN BY DELTA FIBER
SCALE 1"=50'	PAGE 11

MATERIALS LIST

ITEM	DESCRIPTION	QTY.
1	TRIDENT RTD 1X12	
2	TRIDENT RTD 1X12	
3	TRIDENT RTD 1X12	
4	TRIDENT RTD 1X12	
5	24 CT FOC	
6	24 CT FOC LOOP	
7	48 CT FOC	
8	48 CT FOC LOOP	
9	72 CT FOC	
10	72 CT FOC LOOP	
11	144 CT FOC	
12	144 CT FOC LOOP	
13	288 CT FOC	
14	288 CT FOC LOOP	
15	BDO288P LCP	
16	UH2	
17	UH3	
18	UH4	
19	UH5	
20	1-1.25" SDR11 HDPE	
21	2-1.25" SDR11 HDPE	
22	3-1.25" SDR11 HDPE	
23	4-1.25" SDR11 HDPE	
24	5-1.25" SDR11 HDPE	
25	6-1.25" SDR11 HDPE	
26	TYCO "B" SPLICE CASE	
27	TYCO "D" SPLICE CASE	
28	GROUND ROD	
29	SPLICES	
30	BM53FA	

REVISIONS

No.	Revision/Issue	Date

MAP NUMBER

1	16
11	12

PREPARED BY



PREPARED FOR



DISCLAIMER

EXCEPT AS MAY BE OTHERWISE PROVIDED BY CONTRACT, THESE DRAWINGS AND SPECIFICATIONS SHALL REMAIN THE PROPERTY OF CSPIRE FIBER. BEING ISSUED IN STRICT CONFIDENCE AND SHALL NOT BE REPRODUCED, COPIED, OR USED FOR ANY PURPOSE WITHOUT SPECIFIC WRITTEN PERMISSION.

ALL CABLE WILL BE PLACED BY METHOD OF DIRECTIONAL BORE MIN 2' OFF ROW OR EASEMENT @ 48" DOC UNLESS OTHERWISE NOTED.

NOTIFY ALL UTILITIES 72 HOURS PRIOR TO CONSTRUCTION ACTIVITY.
ONE CALL SYSTEM @ 1-800-227-6477

JOB DESCRIPTION

PROJECT NAME AUTUMN CREST	
PROJECT CITY	
DATE 3/30/22	DESCRIPTION CONSTRUCTION
SHEET 012	DRAWN BY DELTA FIBER
SCALE 1"=50'	PAGE 12

MATERIALS LIST

ITEM	DESCRIPTION	QTY.
1	TRIDENT RTD 1X12	100
2	TRIDENT RTD 1X12	
3	TRIDENT RTD 1X12	
4	TRIDENT RTD 1X12	
5	24 CT FOC	
6	24 CT FOC LOOP	100
7	48 CT FOC	
8	48 CT FOC LOOP	
9	72 CT FOC	1655
10	72 CT FOC LOOP	50
11	144 CT FOC	
12	144 CT FOC LOOP	
13	288 CT FOC	
14	288 CT FOC LOOP	
15	BDO288P LCP	
16	UH2	2
17	UH3	1
18	UH4	
19	UH5	
20	1-1.25" SDR11 HDPE	216
21	2-1.25" SDR11 HDPE	1729
22	3-1.25" SDR11 HDPE	
23	4-1.25" SDR11 HDPE	
24	5-1.25" SDR11 HDPE	
25	6-1.25" SDR11 HDPE	
26	TYCO "B" SPLICE CASE	1
27	TYCO "D" SPLICE CASE	
28	GROUND ROD	1
29	SPLICES	36
30	BM53FA	1

REVISIONS

No.	Revision/Issue	Date

MAP NUMBER

11	12	13
	16	

PREPARED BY



PREPARED FOR



DISCLAIMER

EXCEPT AS MAY BE OTHERWISE PROVIDED BY CONTRACT, THESE DRAWINGS AND SPECIFICATIONS SHALL REMAIN THE PROPERTY OF CSPIRE FIBER. BEING ISSUED IN STRICT CONFIDENCE AND SHALL NOT BE REPRODUCED, COPIED, OR USED FOR ANY PURPOSE WITHOUT SPECIFIC WRITTEN PERMISSION.

ALL CABLE WILL BE PLACED BY METHOD OF DIRECTIONAL BORE MIN 2' OFF ROW OR EASEMENT @ 48" DOC UNLESS OTHERWISE NOTED.

NOTIFY ALL UTILITIES 72 HOURS PRIOR TO CONSTRUCTION ACTIVITY.
ONE CALL SYSTEM @ 1-800-227-6477

SEE SHEET 11

SEE SHEET 13

(PC: 253-264)
AUTUMN CRST - 04
(STA: 17+34 / 0+00)
A) UH-3 (24x36x24) = 1
A) GROUND ROD = 1
A) BM53FA = 1
A) 2-1.25" SDR-11 HDPE = 1655'
A) 72CT FOC = 1655'
A) 72CT FOC LOOP = 50'
A) 24CT FOC LOOP = 100'
A) TYCO "B" SPLICE CASE = 1
A) SPLICES = 36
A) TRIDENT RTD 1x12 = 100'

STA: 2+90
A) UH-2 = 1
A) 1-1.25" SDR-11 HDPE = 216'

STA: 0+74
A) UH-2 = 1
A) 2-1.25" SDR-11 HDPE = 74'

FB: 264
ADD: UNK

FB: 263
ADD: 123

FB: 262
ADD: UNK

FB: 256
ADD: UNK

JOB DESCRIPTION

PROJECT NAME AUTUMN CREST	
PROJECT CITY	
DATE 3/30/22	DESCRIPTION CONSTRUCTION
SHEET 013	DRAWN BY DELTA FIBER
SCALE 1"=50'	PAGE 13

MATERIALS LIST

ITEM	DESCRIPTION	QTY.
1	TRIDENT RTD 1X12	
2	TRIDENT RTD 1X12	
3	TRIDENT RTD 1X12	
4	TRIDENT RTD 1X12	
5	24 CT FOC	
6	24 CT FOC LOOP	
7	48 CT FOC	
8	48 CT FOC LOOP	
9	72 CT FOC	
10	72 CT FOC LOOP	
11	144 CT FOC	
12	144 CT FOC LOOP	
13	288 CT FOC	
14	288 CT FOC LOOP	
15	BDO288P LCP	
16	UH2	2
17	UH3	
18	UH4	
19	UH5	
20	1-1.25" SDR11 HDPE	
21	2-1.25" SDR11 HDPE	75
22	3-1.25" SDR11 HDPE	453
23	4-1.25" SDR11 HDPE	
24	5-1.25" SDR11 HDPE	
25	6-1.25" SDR11 HDPE	
26	TYCO "B" SPLICE CASE	
27	TYCO "D" SPLICE CASE	
28	GROUND ROD	
29	SPLICES	
30	BM53FA	

REVISIONS

No.	Revision/Issue	Date

MAP NUMBER

16	13	14
12		

PREPARED BY:



PREPARED FOR



DISCLAIMER

EXCEPT AS MAY BE OTHERWISE PROVIDED BY CONTRACT, THESE DRAWINGS AND SPECIFICATIONS SHALL REMAIN THE PROPERTY OF CSPIRE FIBER. BEING ISSUED IN STRICT CONFIDENCE AND SHALL NOT BE REPRODUCED, COPIED, OR USED FOR ANY PURPOSE WITHOUT SPECIFIC WRITTEN PERMISSION.

ALL CABLE WILL BE PLACED BY METHOD OF DIRECTIONAL BORE MIN 2' OFF ROW OR EASEMENT @ 48" DOC UNLESS OTHERWISE NOTED.

NOTIFY ALL UTILITIES 72 HOURS PRIOR TO CONSTRUCTION ACTIVITY.
ONE CALL SYSTEM @ 1-800-227-6477

SEE SHEET 12

SEE SHEET 14

FB: 257
ADD: UNK

STA: 4+53 / 0+00
A) UH-2 = 1
A) 3-1.25" SDR-11 HDPE = 453'

QUAIL RIDGE DR

STA: 0+75
A) UH-2 = 1
A) 2-1.25" SDR-11 HDPE = 75'

FB: 261
ADD: UNK

FB: 260
ADD: 141

FB: 259
ADD: 155

JOB DESCRIPTION

PROJECT NAME AUTUMN CREST	
PROJECT CITY	
DATE 3/30/22	DESCRIPTION CONSTRUCTION
SHEET 014	DRAWN BY DELTA FIBER
SCALE 1"=50'	PAGE 14

MATERIALS LIST

ITEM	DESCRIPTION	QTY.
1	TRIDENT RTD 1X12	
2	TRIDENT RTD 1X12	
3	TRIDENT RTD 1X12	
4	TRIDENT RTD 1X12	
5	24 CT FOC	
6	24 CT FOC LOOP	
7	48 CT FOC	
8	48 CT FOC LOOP	
9	72 CT FOC	
10	72 CT FOC LOOP	
11	144 CT FOC	
12	144 CT FOC LOOP	
13	288 CT FOC	
14	288 CT FOC LOOP	
15	BDO288P LCP	
16	UH2	3
17	UH3	
18	UH4	
19	UH5	
20	1-1.25" SDR11 HDPE	738
21	2-1.25" SDR11 HDPE	656
22	3-1.25" SDR11 HDPE	
23	4-1.25" SDR11 HDPE	
24	5-1.25" SDR11 HDPE	
25	6-1.25" SDR11 HDPE	
26	TYCO "B" SPLICE CASE	
27	TYCO "D" SPLICE CASE	
28	GROUND ROD	
29	SPLICES	
30	BM53FA	

REVISIONS

No.	Revision/Issue	Date

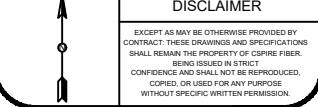
MAP NUMBER

13	14	15
----	----	----

PREPARED BY:



PREPARED FOR:

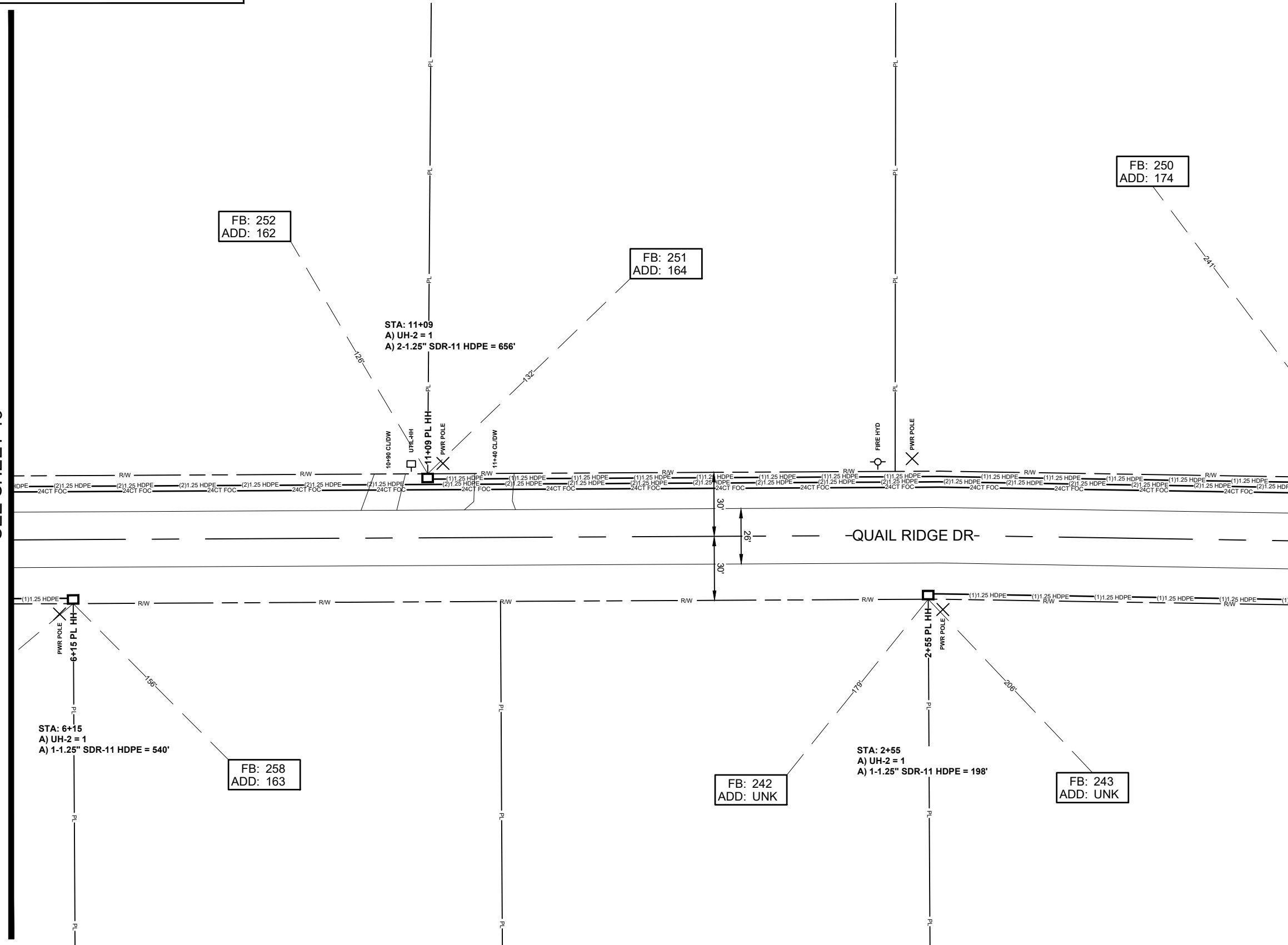


DISCLAIMER

EXCEPT AS MAY BE OTHERWISE PROVIDED BY CONTRACT, THESE DRAWINGS AND SPECIFICATIONS SHALL REMAIN THE PROPERTY OF CSPIRE FIBER. BEING ISSUED IN STRICT CONFIDENCE AND SHALL NOT BE REPRODUCED, COPIED, OR USED FOR ANY PURPOSE WITHOUT SPECIFIC WRITTEN PERMISSION.

SEE SHEET 13

SEE SHEET 15



ALL CABLE WILL BE PLACED BY METHOD OF DIRECTIONAL BORE MIN 2' OFF ROW OR EASEMENT @ 48" DOC UNLESS OTHERWISE NOTED.

NOTIFY ALL UTILITIES 72 HOURS PRIOR TO CONSTRUCTION ACTIVITY.
ONE CALL SYSTEM @ 1-800-227-6477



MADISON COUNTY, MISSISSIPPI

JOB DESCRIPTION

PROJECT NAME AUTUMN CRST	
PROJECT CITY	
DATE 3/30/22	DESCRIPTION CONSTRUCTION
SHEET 015	DRAWN BY DELTA FIBER
SCALE 1"=50'	PAGE 15

MATERIALS LIST

ITEM	DESCRIPTION	QTY.
1	TRIDENT RTD 1X12	100
2	TRIDENT RTD 1X12	
3	TRIDENT RTD 1X12	
4	TRIDENT RTD 1X12	
5	24 CT FOC	1552
6	24 CT FOC LOOP	50
7	48 CT FOC	
8	48 CT FOC LOOP	
9	72 CT FOC	
10	72 CT FOC LOOP	
11	144 CT FOC	
12	144 CT FOC LOOP	
13	288 CT FOC	
14	288 CT FOC LOOP	
15	BDO288P LCP	
16	UH2	3
17	UH3	1
18	UH4	
19	UH5	
20	1-1.25" SDR11 HDPE	415
21	2-1.25" SDR11 HDPE	144
22	3-1.25" SDR11 HDPE	443
23	4-1.25" SDR11 HDPE	
24	5-1.25" SDR11 HDPE	
25	6-1.25" SDR11 HDPE	
26	TYCO "B" SPLICE CASE	1
27	TYCO "D" SPLICE CASE	
28	GROUND ROD	1
29	SPLICES	12
30	BM53FA	1

REVISIONS

No.	Revision/Issue	Date

MAP NUMBER

14	15
----	----

PREPARED BY



PREPARED FOR



DISCLAIMER

EXCEPT AS MAY BE OTHERWISE PROVIDED BY CONTRACT, THESE DRAWINGS AND SPECIFICATIONS SHALL REMAIN THE PROPERTY OF CSPIRE FIBER. BEING ISSUED IN STRICT CONFIDENCE AND SHALL NOT BE REPRODUCED, COPIED, OR USED FOR ANY PURPOSE WITHOUT SPECIFIC WRITTEN PERMISSION.

ALL CABLE WILL BE PLACED BY METHOD OF DIRECTIONAL BORE MIN 2' OFF ROW OR EASEMENT @ 48" DOC UNLESS OTHERWISE NOTED.

NOTIFY ALL UTILITIES 72 HOURS PRIOR TO CONSTRUCTION ACTIVITY.
ONE CALL SYSTEM @ 1-800-227-6477

SEE SHEET 14

(PC: 241-252)
AUTUMN CRST - 05
(STA: 15+52 / 0+00)
A) UH-3 (24x36x24) = 1
A) GROUND ROD = 1
A) BM53FA = 1
A) 3-1.25" SDR-11 HDPE = 443'
A) 24CT FOC = 1552'
A) 24CT FOC LOOP = 50'
A) TYCO "B" SPLICE CASE = 1
A) SPLICES = 12
A) TRIDENT RTD 1x12 = 100'

FB: 249
ADD: UNK

FB: 248
ADD: UNK

STA: 19+67
A) UH-2 = 1
A) 1-1.25" SDR-11 HDPE = 415'

FB: 247
ADD: UNK

QUAIL RIDGE DR

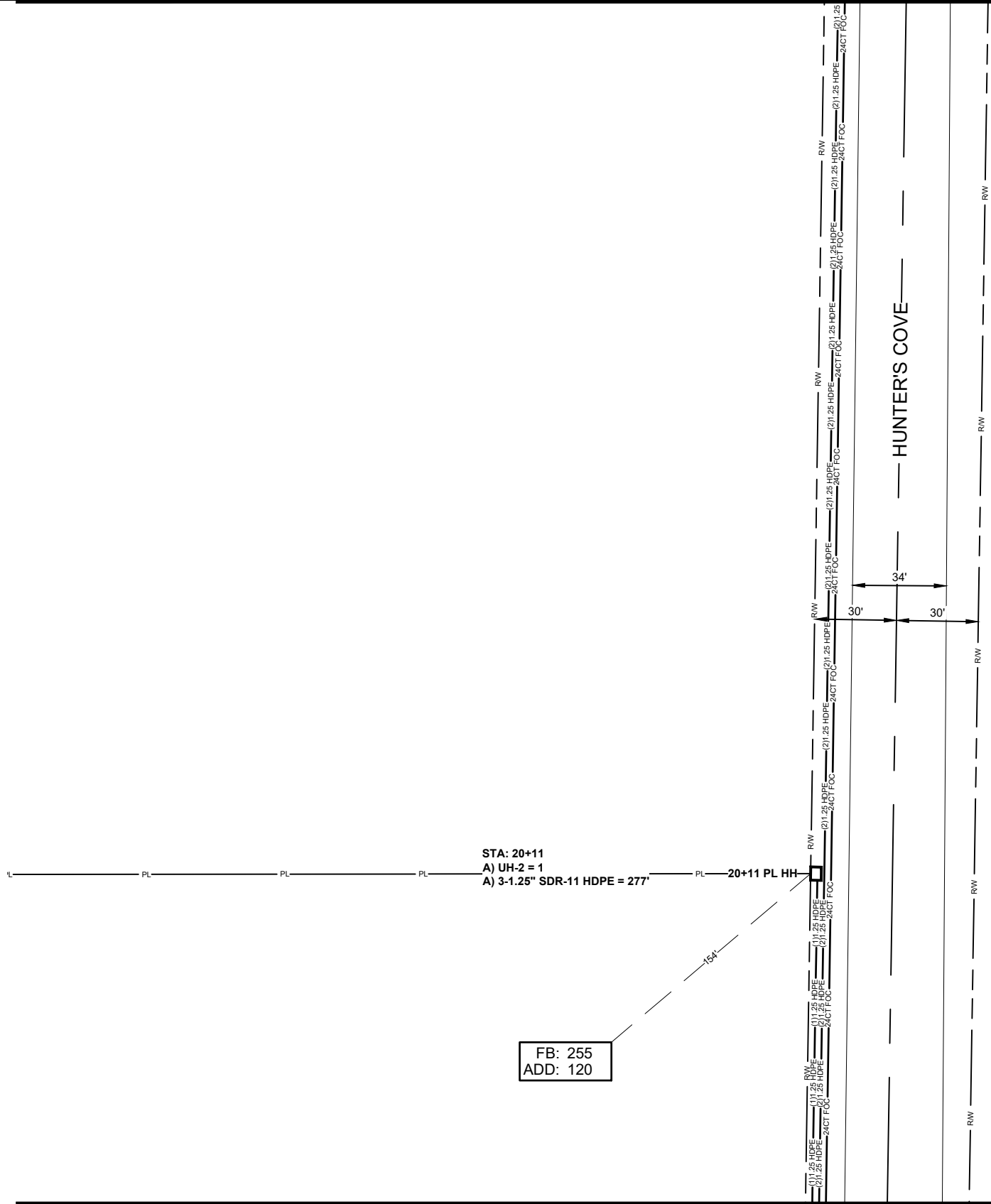
STA: 0+57
A) UH-2 = 1
A) 2-1.25" SDR-11 HDPE = 57'

FB: 244
ADD: UNK

FB: 245
ADD: UNK

STA: 20+54
A) UH-2 = 1
A) 2-1.25" SDR-11 HDPE = 87'

FB: 246
ADD: 799



ALL CABLE WILL BE PLACED BY METHOD OF DIRECTIONAL BORE MIN 2' OFF ROW OR EASEMENT @ 48" DOC UNLESS OTHERWISE NOTED.

NOTIFY ALL UTILITIES 72 HOURS PRIOR TO CONSTRUCTION ACTIVITY.
ONE CALL SYSTEM @ 1-800-227-6477

JOB DESCRIPTION

PROJECT NAME AUTUMN CREST	
PROJECT CITY	
DATE 3/30/22	DESCRIPTION CONSTRUCTION
SHEET 016	DRAWN BY DELTA FIBER
SCALE 1"=50'	PAGE 16

MATERIALS LIST

ITEM	DESCRIPTION	QTY.
1	TRIDENT RTD 1X12	
2	TRIDENT RTD 1X12	
3	TRIDENT RTD 1X12	
4	TRIDENT RTD 1X12	
5	24 CT FOC	
6	24 CT FOC LOOP	
7	48 CT FOC	
8	48 CT FOC LOOP	
9	72 CT FOC	
10	72 CT FOC LOOP	
11	144 CT FOC	
12	144 CT FOC LOOP	
13	288 CT FOC	
14	288 CT FOC LOOP	
15	BDO288P LCP	
16	UH2	1
17	UH3	
18	UH4	
19	UH5	
20	1-1.25" SDR11 HDPE	
21	2-1.25" SDR11 HDPE	
22	3-1.25" SDR11 HDPE	277
23	4-1.25" SDR11 HDPE	
24	5-1.25" SDR11 HDPE	
25	6-1.25" SDR11 HDPE	
26	TYCO "B" SPLICE CASE	
27	TYCO "D" SPLICE CASE	
28	GROUND ROD	
29	SPLICES	
30	BM53FA	

REVISIONS

No.	Revision/Issue	Date

MAP NUMBER		
17	16	15
12	11	10

PREPARED BY



PREPARED FOR



DISCLAIMER

EXCEPT AS MAY BE OTHERWISE PROVIDED BY CONTRACT, THESE DRAWINGS AND SPECIFICATIONS SHALL REMAIN THE PROPERTY OF CSPIRE FIBER. BEING ISSUED IN STRICT CONFIDENCE AND SHALL NOT BE REPRODUCED, COPIED, OR USED FOR ANY PURPOSE WITHOUT SPECIFIC WRITTEN PERMISSION.

JOB DESCRIPTION

PROJECT NAME AUTUMN CREST	
PROJECT CITY	
DATE 3/30/22	DESCRIPTION CONSTRUCTION
SHEET 017	DRAWN BY DELTA FIBER
SCALE 1"=50'	PAGE 17

MATERIALS LIST

ITEM	DESCRIPTION	QTY.
1	TRIDENT RTD 1X12	100
2	TRIDENT RTD 1X12	
3	TRIDENT RTD 1X12	
4	TRIDENT RTD 1X12	
5	24 CT FOC	739
6	24 CT FOC LOOP	50
7	48 CT FOC	
8	48 CT FOC LOOP	
9	72 CT FOC	
10	72 CT FOC LOOP	
11	144 CT FOC	
12	144 CT FOC LOOP	
13	288 CT FOC	
14	288 CT FOC LOOP	
15	BDO288P LCP	
16	UH2	
17	UH3	1
18	UH4	
19	UH5	
20	1-1.25" SDR11 HDPE	
21	2-1.25" SDR11 HDPE	462
22	3-1.25" SDR11 HDPE	
23	4-1.25" SDR11 HDPE	
24	5-1.25" SDR11 HDPE	
25	6-1.25" SDR11 HDPE	
26	TYCO "B" SPLICE CASE	1
27	TYCO "D" SPLICE CASE	
28	GROUND ROD	1
29	SPLICES	12
30	BM53FA	1

REVISIONS

No.	Revision/Issue	Date

MAP NUMBER		
	18	
	17	
	16	

PREPARED BY

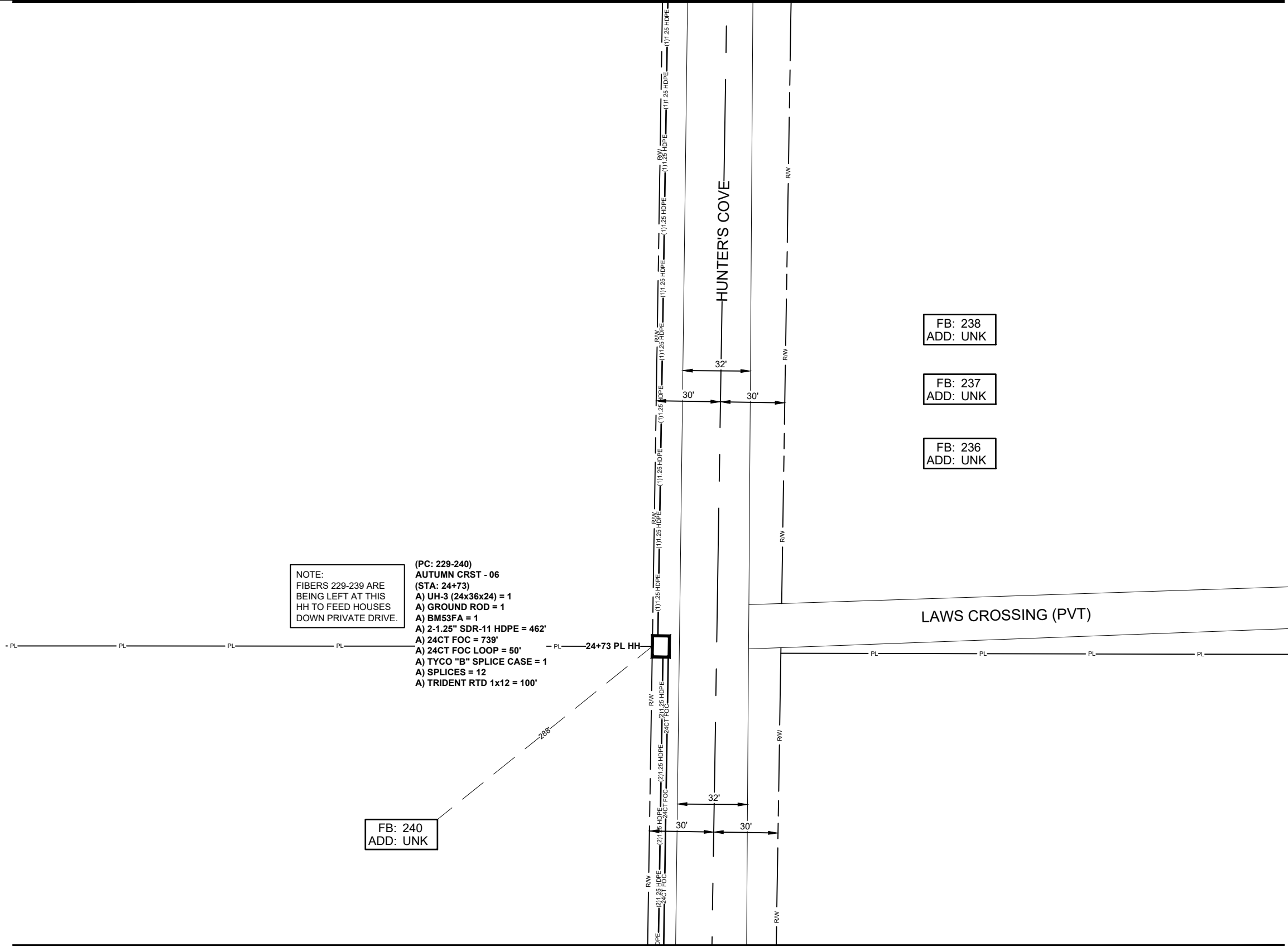


PREPARED FOR



DISCLAIMER

EXCEPT AS MAY BE OTHERWISE PROVIDED BY CONTRACT, THESE DRAWINGS AND SPECIFICATIONS SHALL REMAIN THE PROPERTY OF CSPIRE FIBER. BEING ISSUED IN STRICT CONFIDENCE AND SHALL NOT BE REPRODUCED, COPIED, OR USED FOR ANY PURPOSE WITHOUT SPECIFIC WRITTEN PERMISSION.



NOTE:
FIBERS 229-239 ARE BEING LEFT AT THIS HH TO FEED HOUSES DOWN PRIVATE DRIVE.

- (PC: 229-240)
AUTUMN CRST - 06
(STA: 24+73)
A) UH-3 (24x36x24) = 1
A) GROUND ROD = 1
A) BM53FA = 1
A) 2-1.25" SDR-11 HDPE = 462'
A) 24CT FOC = 739'
A) 24CT FOC LOOP = 50'
A) TYCO "B" SPLICE CASE = 1
A) SPLICES = 12
A) TRIDENT RTD 1x12 = 100'

FB: 240
ADD: UNK

FB: 238
ADD: UNK

FB: 237
ADD: UNK

FB: 236
ADD: UNK

ALL CABLE WILL BE PLACED BY METHOD OF DIRECTIONAL BORE MIN 2' OFF ROW OR EASEMENT @ 48" DOC UNLESS OTHERWISE NOTED.

NOTIFY ALL UTILITIES 72 HOURS PRIOR TO CONSTRUCTION ACTIVITY.
ONE CALL SYSTEM @ 1-800-227-6477

JOB DESCRIPTION

PROJECT NAME AUTUMN CREST	
PROJECT CITY	
DATE 3/30/22	DESCRIPTION CONSTRUCTION
SHEET 018	DRAWN BY DELTA FIBER
SCALE 1"=50'	PAGE 18

MATERIALS LIST

ITEM	DESCRIPTION	QTY.
1	TRIDENT RTD 1X12	
2	TRIDENT RTD 1X12	
3	TRIDENT RTD 1X12	
4	TRIDENT RTD 1X12	
5	24 CT FOC	
6	24 CT FOC LOOP	
7	48 CT FOC	
8	48 CT FOC LOOP	
9	72 CT FOC	
10	72 CT FOC LOOP	
11	144 CT FOC	
12	144 CT FOC LOOP	
13	288 CT FOC	
14	288 CT FOC LOOP	
15	BDO288P LCP	
16	UH2	1
17	UH3	
18	UH4	
19	UH5	
20	1-1.25" SDR11 HDPE	432
21	2-1.25" SDR11 HDPE	
22	3-1.25" SDR11 HDPE	
23	4-1.25" SDR11 HDPE	
24	5-1.25" SDR11 HDPE	
25	6-1.25" SDR11 HDPE	
26	TYCO "B" SPLICE CASE	
27	TYCO "D" SPLICE CASE	
28	GROUND ROD	
29	SPLICES	
30	BM53FA	

REVISIONS

No.	Revision/Issue	Date

MAP NUMBER		
	18	
	17	

PREPARED BY:

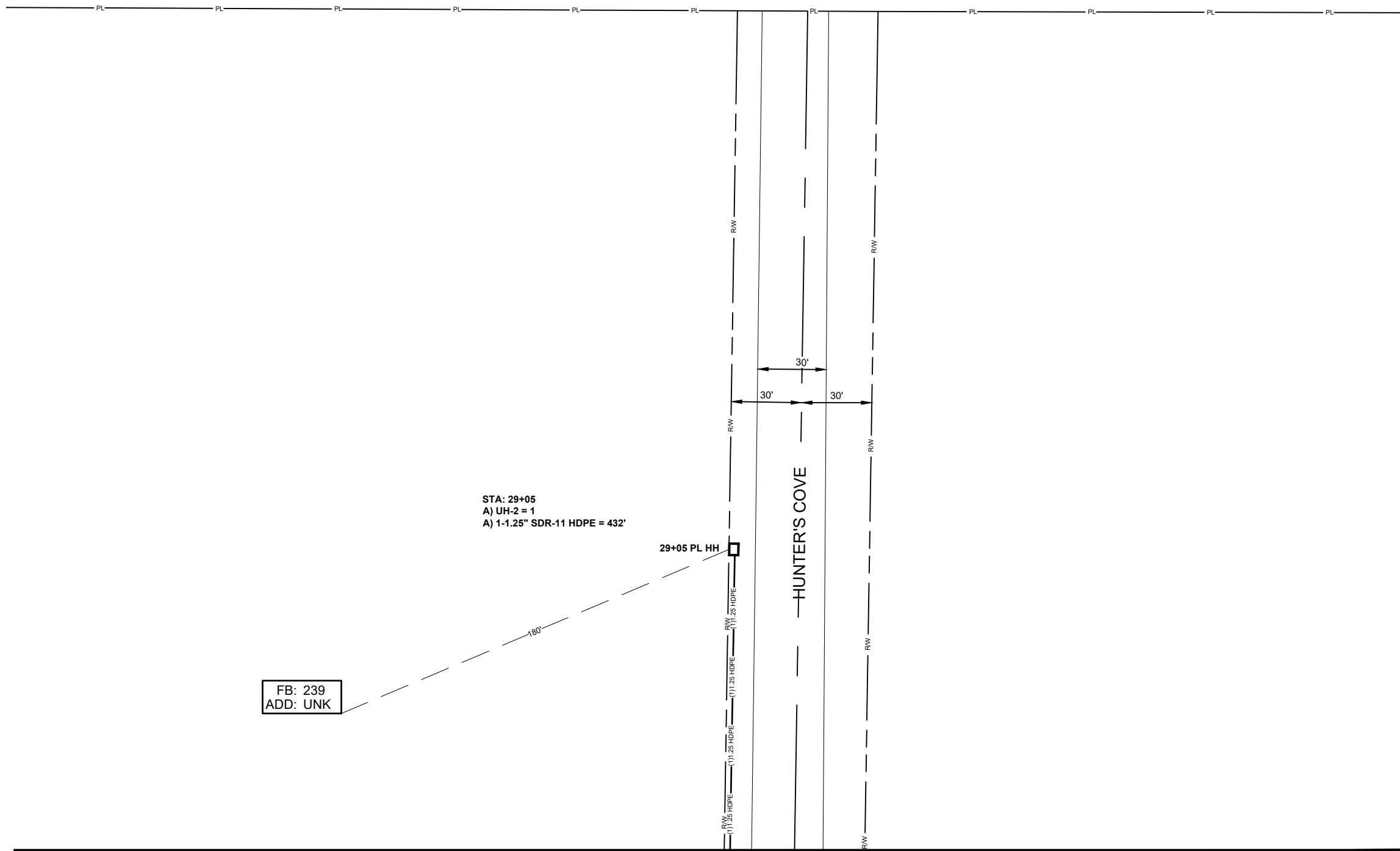


PREPARED FOR



DISCLAIMER

EXCEPT AS MAY BE OTHERWISE PROVIDED BY CONTRACT, THESE DRAWINGS AND SPECIFICATIONS SHALL REMAIN THE PROPERTY OF CSPIRE FIBER. BEING ISSUED IN STRICT CONFIDENCE AND SHALL NOT BE REPRODUCED, COPIED, OR USED FOR ANY PURPOSE WITHOUT SPECIFIC WRITTEN PERMISSION.



STA: 29+05
A) UH-2 = 1
A) 1-1.25" SDR-11 HDPE = 432'

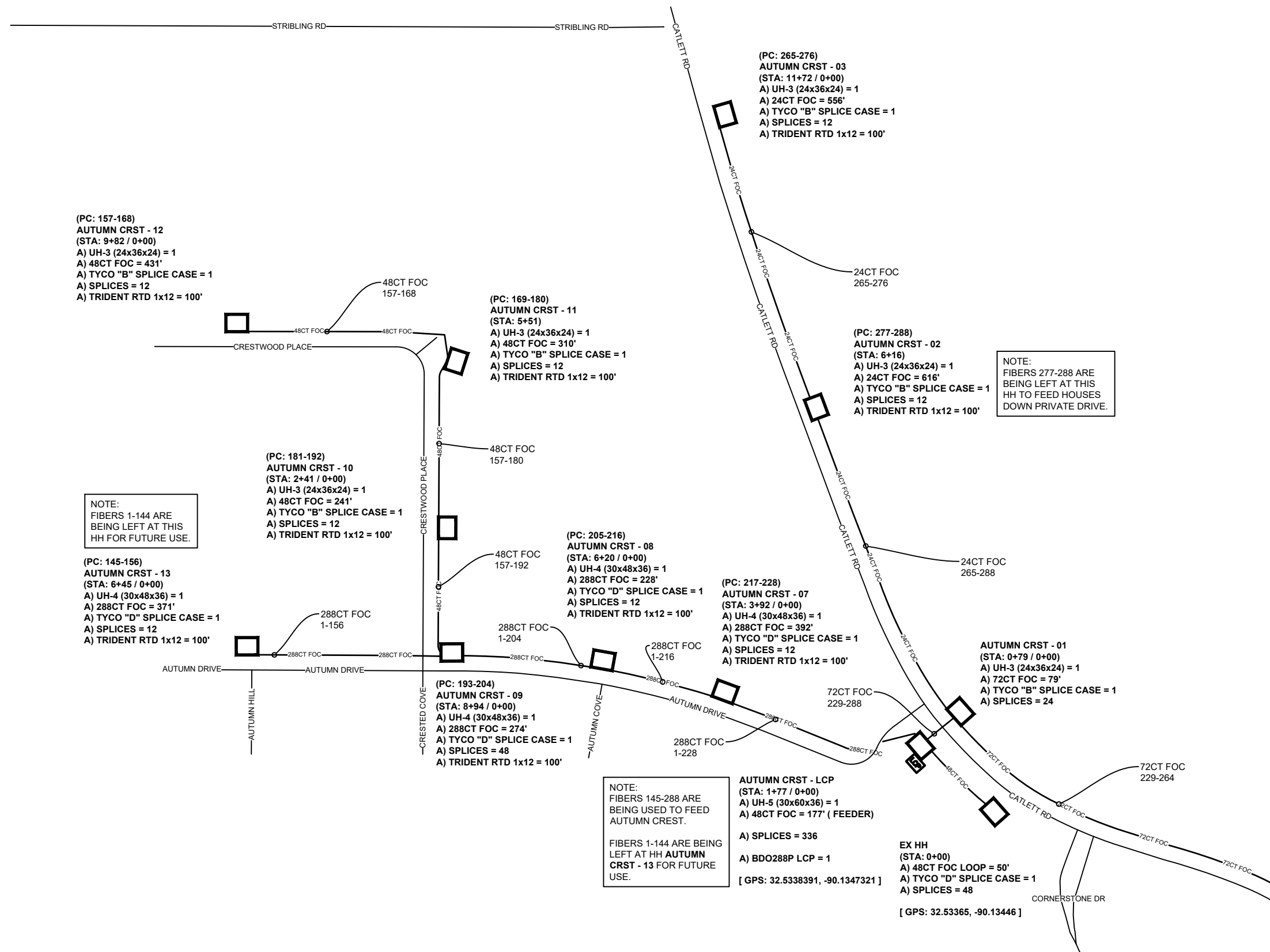
29+05 PL HH

FB: 239
ADD: UNK

SEE SHEET 17

ALL CABLE WILL BE PLACED BY METHOD OF DIRECTIONAL BORE MIN 2' OFF ROW OR EASEMENT @ 48" DOC UNLESS OTHERWISE NOTED.

NOTIFY ALL UTILITIES 72 HOURS PRIOR TO CONSTRUCTION ACTIVITY.
ONE CALL SYSTEM @ 1-800-227-6477



(PC: 157-168)
AUTUMN CRST - 12
 (STA: 9+82 / 0+00)
 A) UH-3 (24x36x24) = 1
 A) 48CT FOC = 431'
 A) TYCO "B" SPLICE CASE = 1
 A) SPLICES = 12
 A) TRIDENT RTD 1x12 = 100'

(PC: 169-180)
AUTUMN CRST - 11
 (STA: 5+51)
 A) UH-3 (24x36x24) = 1
 A) 48CT FOC = 310'
 A) TYCO "B" SPLICE CASE = 1
 A) SPLICES = 12
 A) TRIDENT RTD 1x12 = 100'

(PC: 181-192)
AUTUMN CRST - 10
 (STA: 2+41 / 0+00)
 A) UH-3 (24x36x24) = 1
 A) 48CT FOC = 241'
 A) TYCO "B" SPLICE CASE = 1
 A) SPLICES = 12
 A) TRIDENT RTD 1x12 = 100'

NOTE:
 FIBERS 1-144 ARE
 BEING LEFT AT THIS
 HH FOR FUTURE USE.

(PC: 145-156)
AUTUMN CRST - 13
 (STA: 6+45 / 0+00)
 A) UH-4 (30x48x36) = 1
 A) 288CT FOC = 371'
 A) TYCO "D" SPLICE CASE = 1
 A) SPLICES = 12
 A) TRIDENT RTD 1x12 = 100'

(PC: 205-216)
AUTUMN CRST - 08
 (STA: 6+20 / 0+00)
 A) UH-4 (30x48x36) = 1
 A) 288CT FOC = 228'
 A) TYCO "D" SPLICE CASE = 1
 A) SPLICES = 12
 A) TRIDENT RTD 1x12 = 100'

(PC: 217-228)
AUTUMN CRST - 07
 (STA: 3+92 / 0+00)
 A) UH-4 (30x48x36) = 1
 A) 288CT FOC = 392'
 A) TYCO "D" SPLICE CASE = 1
 A) SPLICES = 12
 A) TRIDENT RTD 1x12 = 100'

(PC: 193-204)
AUTUMN CRST - 09
 (STA: 8+94 / 0+00)
 A) UH-4 (30x48x36) = 1
 A) 288CT FOC = 274'
 A) TYCO "D" SPLICE CASE = 1
 A) SPLICES = 48
 A) TRIDENT RTD 1x12 = 100'

NOTE:
 FIBERS 145-288 ARE
 BEING USED TO FEED
 AUTUMN CREST.

 FIBERS 1-144 ARE BEING
 LEFT AT HH AUTUMN
 CRST - 13 FOR FUTURE
 USE.

AUTUMN CRST - LCP
 (STA: 1+77 / 0+00)
 A) UH-5 (30x60x36) = 1
 A) 48CT FOC = 177' (FEEDER)

 A) SPLICES = 336
 A) BDO288P LCP = 1
 [GPS: 32.5338391, -90.1347321]

EX HH
 (STA: 0+00)
 A) 48CT FOC LOOP = 50'
 A) TYCO "D" SPLICE CASE = 1
 A) SPLICES = 48
 [GPS: 32.53365, -90.13446]

(PC: 265-276)
AUTUMN CRST - 03
 (STA: 11+72 / 0+00)
 A) UH-3 (24x36x24) = 1
 A) 24CT FOC = 556'
 A) TYCO "B" SPLICE CASE = 1
 A) SPLICES = 12
 A) TRIDENT RTD 1x12 = 100'

(PC: 277-288)
AUTUMN CRST - 02
 (STA: 6+16)
 A) UH-3 (24x36x24) = 1
 A) 24CT FOC = 616'
 A) TYCO "B" SPLICE CASE = 1
 A) SPLICES = 12
 A) TRIDENT RTD 1x12 = 100'

NOTE:
 FIBERS 277-288 ARE
 BEING LEFT AT THIS
 HH TO FEED HOUSES
 DOWN PRIVATE DRIVE.

AUTUMN CRST - 01
 (STA: 0+79 / 0+00)
 A) UH-3 (24x36x24) = 1
 A) 72CT FOC = 79'
 A) TYCO "B" SPLICE CASE = 1
 A) SPLICES = 24

SEE SCHEMATIC 2

JOB DESCRIPTION

PROJECT NAME AUTUMN CREST	
PROJECT CITY	
DATE	DESCRIPTION CONSTRUCTION
SHEET SCHEMATIC 1	DRAWN BY DELTA FIBER
SCALE NTS	PAGE SCHEMATIC 1

MATERIALS LIST

ITEM	DESCRIPTION	QTY.
1	TRIDENT RTD 1X12	
2	TRIDENT RTD 1X12	
3	TRIDENT RTD 1X12	
4	TRIDENT RTD 1X12	
5	24 CT FOC	
6	24 CT FOC LOOP	
7	48 CT FOC	
8	48 CT FOC LOOP	
9	72 CT FOC	
10	72 CT FOC LOOP	
11	144 CT FOC	
12	144 CT FOC LOOP	
13	288 CT FOC	
14	288 CT FOC LOOP	
15	BDO288P LCP	
16	UH2	
17	UH3	
18	UH4	
19	UH5	
20	1-1.25" SDR11 HDPE	
21	2-1.25" SDR11 HDPE	
22	3-1.25" SDR11 HDPE	
23	4-1.25" SDR11 HDPE	
24	5-1.25" SDR11 HDPE	
25	6-1.25" SDR11 HDPE	
26	TYCO "B" SPLICE CASE	
27	TYCO "D" SPLICE CASE	
28	GROUND ROD	
29	SPLICES	
30	BM53FA	

REVISIONS

No.	Revision/Issue	Date

MAP NUMBER

--	--	--

PREPARED BY



PREPARED FOR



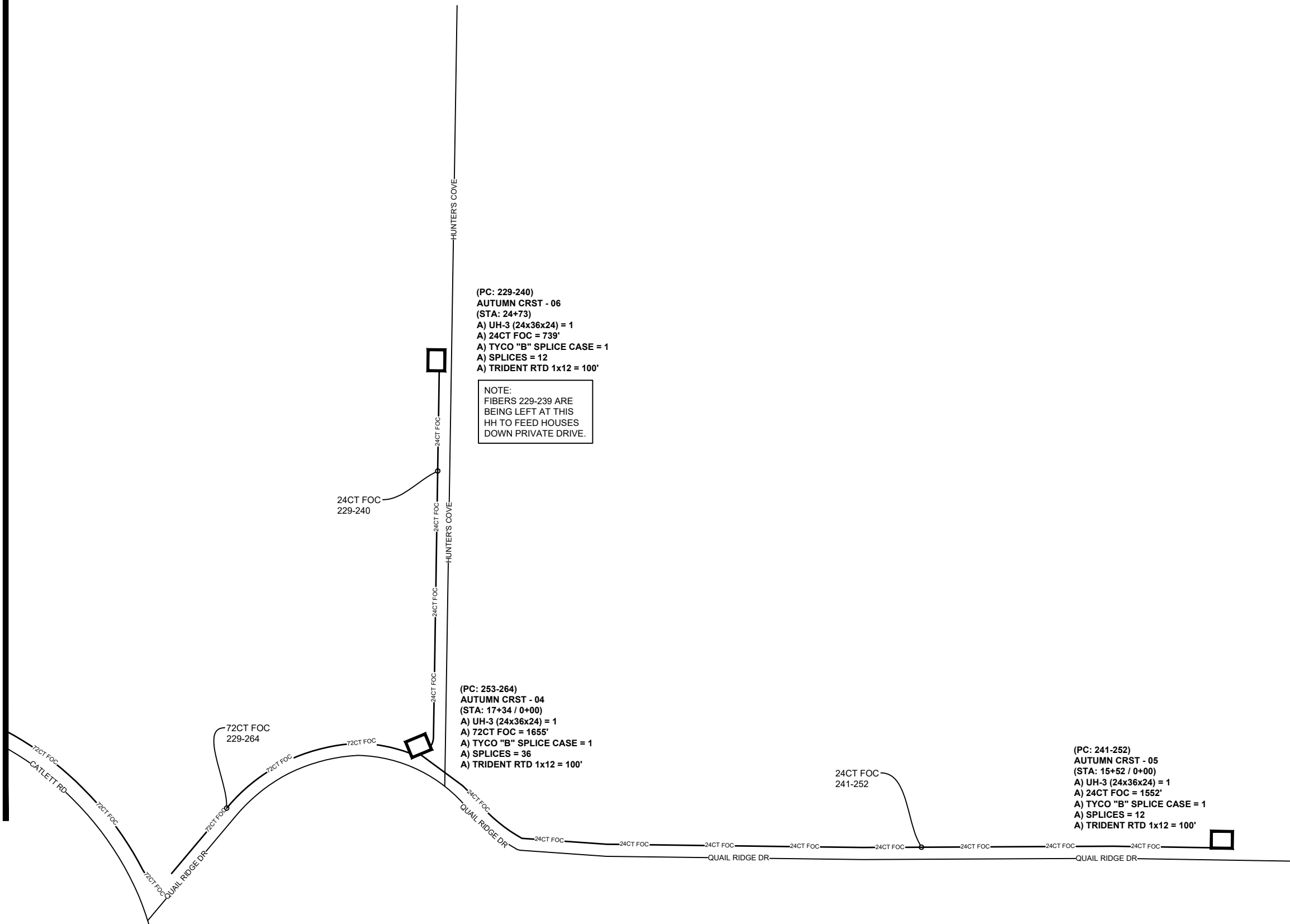
DISCLAIMER

EXCEPT AS MAY BE OTHERWISE PROVIDED BY CONTRACT THESE DRAWINGS AND SPECIFICATIONS SHALL REMAIN THE PROPERTY OF CSPIRE FIBER. BEING ISSUED IN STRICT CONFIDENCE AND SHALL NOT BE REPRODUCED, COPIED, OR USED FOR ANY PURPOSE WITHOUT SPECIFIC WRITTEN PERMISSION.

ALL CABLE WILL BE PLACED BY METHOD OF DIRECTIONAL BORE MIN 2' OFF ROW OR EASEMENT @ 48" DOC UNLESS OTHERWISE NOTED.

NOTIFY ALL UTILITIES 72 HOURS PRIOR TO CONSTRUCTION ACTIVITY.
 ONE CALL SYSTEM @ 1-800-227-6477

SEE SCHEMATIC 1



(PC: 229-240)
AUTUMN CRST - 06
 (STA: 24+73)
 A) UH-3 (24x36x24) = 1
 A) 24CT FOC = 739'
 A) TYCO "B" SPLICE CASE = 1
 A) SPLICES = 12
 A) TRIDENT RTD 1x12 = 100'

NOTE:
 FIBERS 229-239 ARE
 BEING LEFT AT THIS
 HH TO FEED HOUSES
 DOWN PRIVATE DRIVE.

(PC: 253-264)
AUTUMN CRST - 04
 (STA: 17+34 / 0+00)
 A) UH-3 (24x36x24) = 1
 A) 72CT FOC = 1655'
 A) TYCO "B" SPLICE CASE = 1
 A) SPLICES = 36
 A) TRIDENT RTD 1x12 = 100'

(PC: 241-252)
AUTUMN CRST - 05
 (STA: 15+52 / 0+00)
 A) UH-3 (24x36x24) = 1
 A) 24CT FOC = 1552'
 A) TYCO "B" SPLICE CASE = 1
 A) SPLICES = 12
 A) TRIDENT RTD 1x12 = 100'

JOB DESCRIPTION

PROJECT NAME AUTUMN CREST	
PROJECT CITY	
DATE	DESCRIPTION CONSTRUCTION
SHEET SCHEMATIC 2	DRAWN BY DELTA FIBER
SCALE NTS	PAGE SCHEMATIC 2

MATERIALS LIST

ITEM	DESCRIPTION	QTY.
1	TRIDENT RTD 1X12	
2	TRIDENT RTD 1X12	
3	TRIDENT RTD 1X12	
4	TRIDENT RTD 1X12	
5	24 CT FOC	
6	24 CT FOC LOOP	
7	48 CT FOC	
8	48 CT FOC LOOP	
9	72 CT FOC	
10	72 CT FOC LOOP	
11	144 CT FOC	
12	144 CT FOC LOOP	
13	288 CT FOC	
14	288 CT FOC LOOP	
15	BDO288P LCP	
16	UH2	
17	UH3	
18	UH4	
19	UH5	
20	1-1.25" SDR11 HDPE	
21	2-1.25" SDR11 HDPE	
22	3-1.25" SDR11 HDPE	
23	4-1.25" SDR11 HDPE	
24	5-1.25" SDR11 HDPE	
25	6-1.25" SDR11 HDPE	
26	TYCO "B" SPLICE CASE	
27	TYCO "D" SPLICE CASE	
28	GROUND ROD	
29	SPLICES	
30	BM53FA	

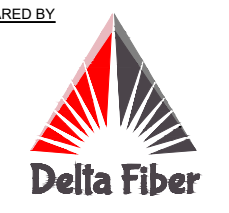
REVISIONS

No.	Revision/Issue	Date

MAP NUMBER

1	2
---	---

PREPARED BY



PREPARED FOR



DISCLAIMER

EXCEPT AS MAY BE OTHERWISE PROVIDED BY CONTRACT, THESE DRAWINGS AND SPECIFICATIONS SHALL REMAIN THE PROPERTY OF CSPIRE FIBER. BEING ISSUED IN STRICT CONFIDENCE AND SHALL NOT BE REPRODUCED, COPIED, OR USED FOR ANY PURPOSE WITHOUT SPECIFIC WRITTEN PERMISSION.

ALL CABLE WILL BE PLACED BY METHOD OF DIRECTIONAL BORE MIN 2' OFF ROW OR EASEMENT @ 48" DOC UNLESS OTHERWISE NOTED.

NOTIFY ALL UTILITIES 72 HOURS PRIOR TO CONSTRUCTION ACTIVITY.
 ONE CALL SYSTEM @ 1-800-227-6477